



PINNACLE

LOW PROFILE RANGE HOOD

INSTALLATION INSTRUCTIONS

Ductless Range Hood - 12 Volt DC Models Covered: DD

CAUTION

For general ventilating use only. Do not use to exhaust hazardous or explosive materials or vapors.

Do not allow insulation, ceiling finishing materials, roofing materials, or other debris to enter the fan housing. Motor failures due to debris are not subject to warranty coverage.

WARNING

Not suitable for use with solid state speed controls.
AVERTISSEMENT: Ne Convient Pas A Des Regulateurs De Vitesse A Semi-Conducteurs

WARNING

To reduce the risk of fire, electric shock, or injury to persons, observe the following:

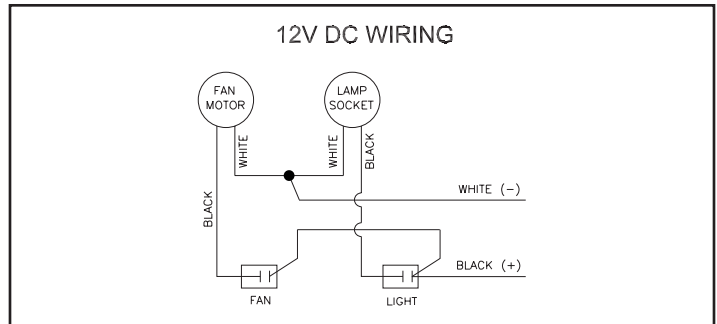
- Installation work and electrical wiring must be done by qualified person(s) in accordance with all applicable codes and standards, including fire related construction.
- Sufficient air is needed for proper combustion and exhausting of gases through the flue (chimney) of fuel burning equipment to prevent back drafting. Follow the heating equipment manufacturer's guidelines and safety standards such as those published by the National Fire Protection Association (NFPA), The American Society for Heating, Refrigeration and Air Conditioning Engineers (ASHRAE), and local code authorities.
- When cutting into walls or ceilings, do not damage electrical wiring and other hidden utilities.

1. **NO** holes or ductwork are required to install this range hood.
2. Center the range hood over cooking surface and drive four (4) #8 screws of sufficient length through the four (4) mounting holes provided.

Note: Make all electrical supply connections in accordance with local and/or applicable codes.

3. Remove the wiring compartment cover by squeezing at designated location. Refer to wiring diagram below for electrical connections. Replace wiring compartment cover by squeezing at the designated location and insert the tabs into the openings in range hood shell. Make sure all wiring is enclosed safely inside compartment.

4. Verify that blower housing is free of debris and that fan blade spins freely.



Please refer to the reverse side of this document for additional safety and cleaning instructions.

Range Hood User Instructions

WARNING

To reduce the risk of a range top grease fire:

- Never leave surface units unattended at high settings. Boilovers cause smoking and greasy spillovers that may ignite. Heat oils slowly on low or medium settings.
- Always turn hood ON when cooking at high heat or when cooking flambéing food (i.e. Crepes Suzette, Cherries Jubilee, Peppercorn Beef Flambé).
- Clean ventilating fans frequently. Grease should not be allowed to accumulate on fan or filter.
- Use proper pan size. Always use cookware appropriate for the size of the surface element.

WARNING

To reduce the risk of injury to persons in the event of a range top grease fire, observe the following:

- **SMOTHER FLAMES** with a close-fitting lid, cookie sheet or metal tray, then turn off the burner. **BE CAREFUL TO PREVENT BURNS.** If the flames do not go out immediately, **EVACUATE AND CALL THE FIRE DEPARTMENT.**
- **NEVER PICK UP A FLAMING PAN;** you may be burned.
- **DO NOT USE WATER,** including wet dishcloths or towels; a violent steam explosion will result.
- Use an extinguisher only if:
 - You know you have a class ABC extinguisher, and you already know how to operate it.
 - The fire is small and contained in the area where it started.
 - The fire department is being called.
 - You can fight fire with your back to an exit.

Based on 'Kitchen Fire Safety Tips' published by the NFPA.

Read and Save These Instructions

WARNING

To reduce the risk of fire, electric shock, or injury to persons, observe the following:

- Use this unit only in the manner intended by the manufacturer. If you have questions, contact the manufacturer.
- Before servicing or cleaning unit, switch power off at the service panel and lock service disconnecting means to prevent power from being switched on accidentally. When the service disconnecting means cannot be locked, securely fasten a prominent warning device, such as a tag, to the service panel.

Care and Cleaning

After disconnecting power, wipe the fan blade with a moist cloth or sponge to remove any dirt buildup. Always reinstall filter after cleaning in mild detergent solution. After 6 months use, replace filter with Dexter part number CE0435-00.