



E-Z SWING™

SWING TONGUE COUPLER

INSTALLATION INSTRUCTIONS

6" E-Z Swing

Dexter offers a variety of swing tongues and associated components to be used for the pivoting of the trailer's draw-bar, otherwise known as tongue assembly, to allow for compact storage. It is of vital importance that the installer be familiar with the trailer's structure, features and characteristics pertaining to the swing tongue, coupling attachment, brake system, and wiring so that they can be successfully incorporated into the trailer's design. Attention to these important guidelines will ensure optimum performance of the swing tongue mechanism.

E-Z SWING COMPONENTS

Figure 1

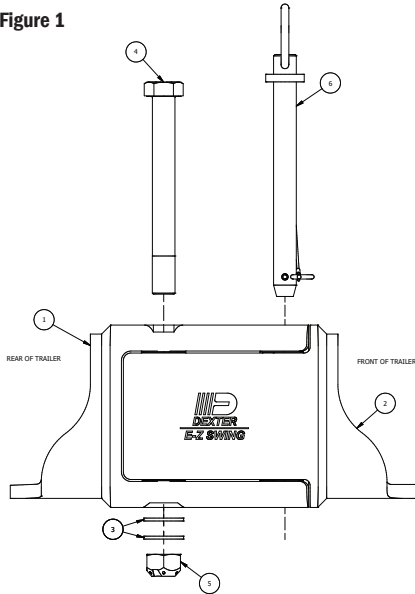
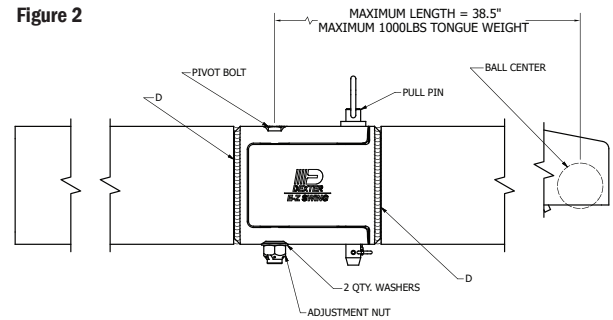
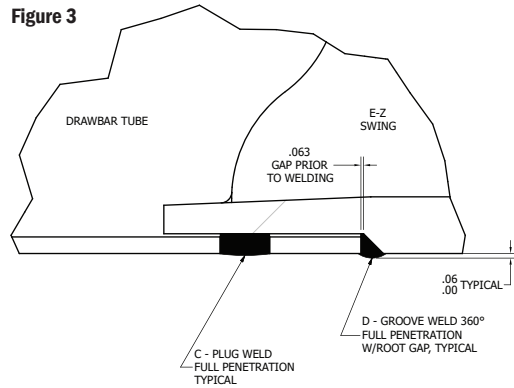


Figure 2



- Four (4) point tack weld all corners.
- Apply plug welds first, then groove welds. Note: full penetration is required. Refer to Figures 3 & 4.

Figure 3



Item	Part No.	Qty.	Description
1	074-412-05	1	Rear Hinge
2	074-411-05	1	Front Hinge
3	005-601-00	2	Washers
4	007-683-00	1	Pivot Bolt
5	006-287-00	1	Nut
6	074-414-00	1	Pull Pin Assembly

ASSEMBLY INSTRUCTIONS

- Insert pivot bolt through the front and rear castings and attach washers and nut as shown in Figure 2.
- Tighten nut to 40-50 ft. lbs. and insert pull pin & hair pin assembly through the castings as shown in Figure 2.
- Insert E-Z Swing into draw-bar tubes. 3" x 6" x 0.250"
- Clamp tubes to maintain 1/16" (0.063") root gap and linear alignment.

CAUTION

Undercutting can result in weakened components and premature failure.

- Remove the pull pin and swing the assembly to the folded position.
- Tighten the nut until the swing is impaired or locked. (approx. 50-200 ft. lbs.).
- Loosen nut until the tongue is just able to swing open and closed smoothly.
- Check that operation of the assembly is smooth, but not too loose and the pull pin inserts easily.

Figure 4

