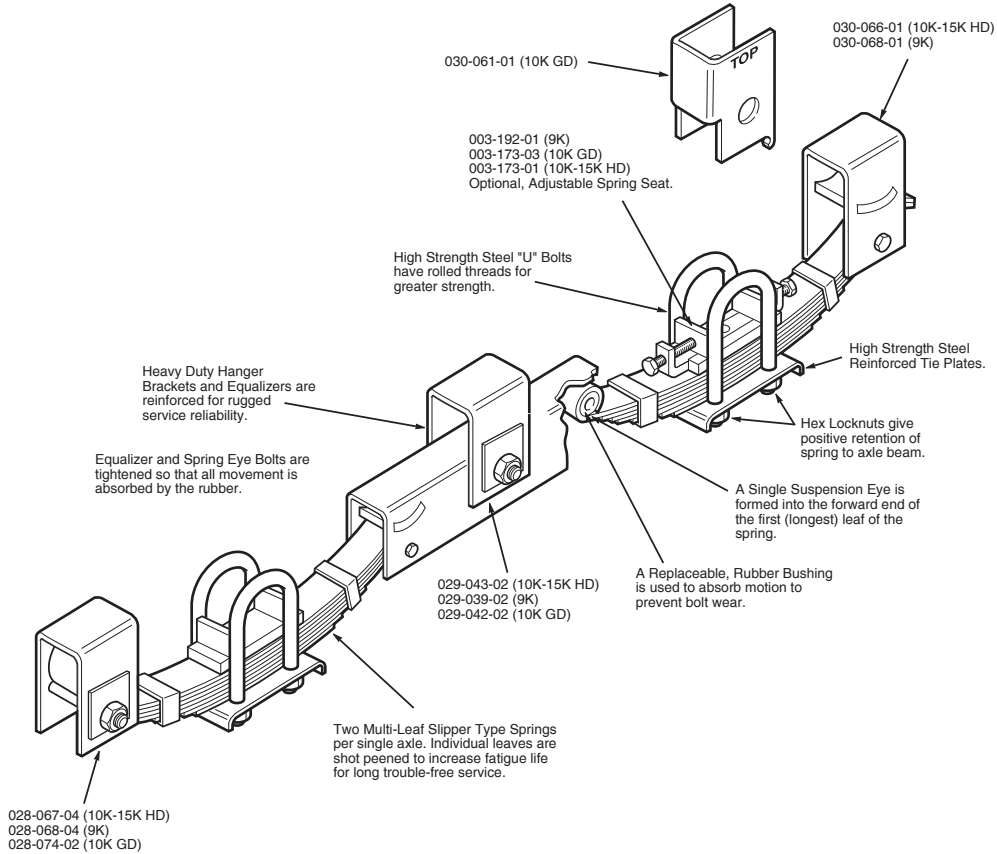


# Dexter Axle Suspension System



## Cross Frame Hanger Reinforcement

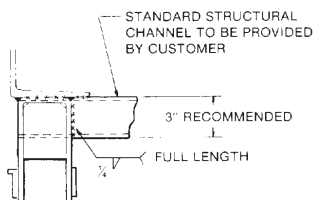
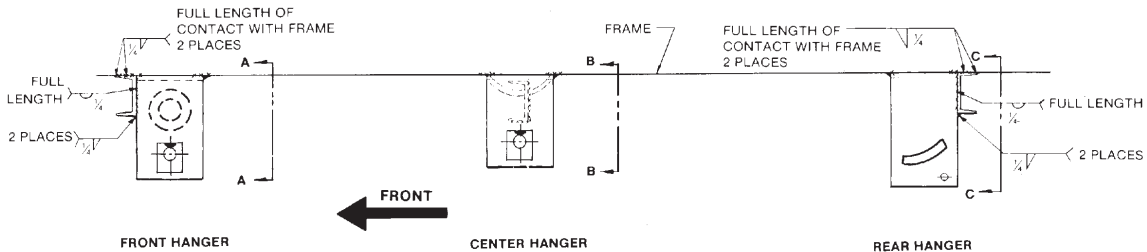
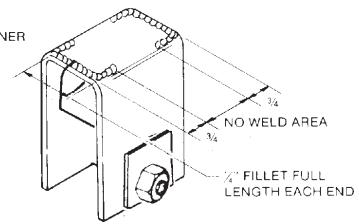
CROSS FRAME REINFORCEMENT BETWEEN SPRING AND EQUALIZER HANGER BRACKETS ASSURES FULL LOAD CARRYING CAPABILITY OF THE AXLE MOUNTED STRUCTURE.

STANDARD THREE INCH STRUCTURAL CHANNEL IS SUGGESTED FOR REINFORCEMENT MEMBERS.

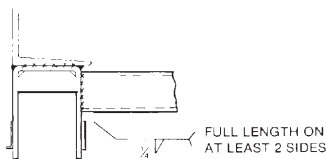
WELDS SHALL BE AS INDICATED.

### RECOMMENDED HANGER WELDING PROCEDURE

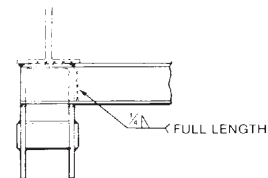
WELD AROUND CORNER AS SHOWN



VIEW AA



VIEW BB

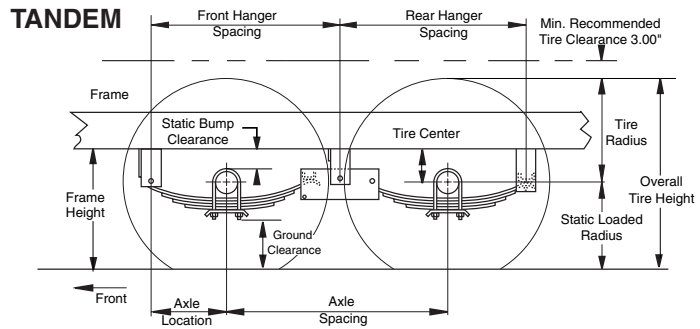
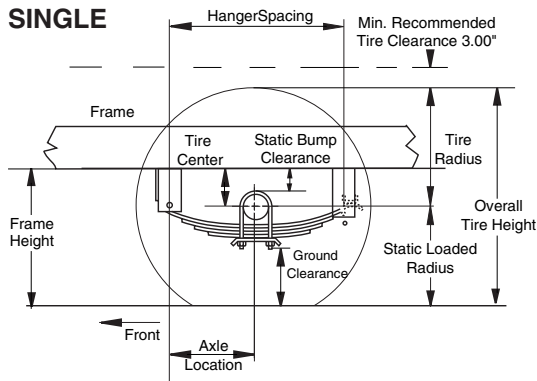


VIEW CC

# Kits for 2" Wide Springs



SINGLE SLIPPER SUSPENSIONS



**9K Single Axle HAP-105-00**

Part No.	Qty	Description
028-068-04	2	Front Hanger
030-068-01	2	Rear Hanger
007-181-00	2	Spring Eye Bolt
007-007-00	2	Keeper Bolt
006-038-00	2	Locknut
006-011-00	2	Locknut
059-203-00	1	Instruction Sheet

**9K Tandem Axle**  
**HAP-205-01 HAP-205-02 HAP-205-03**

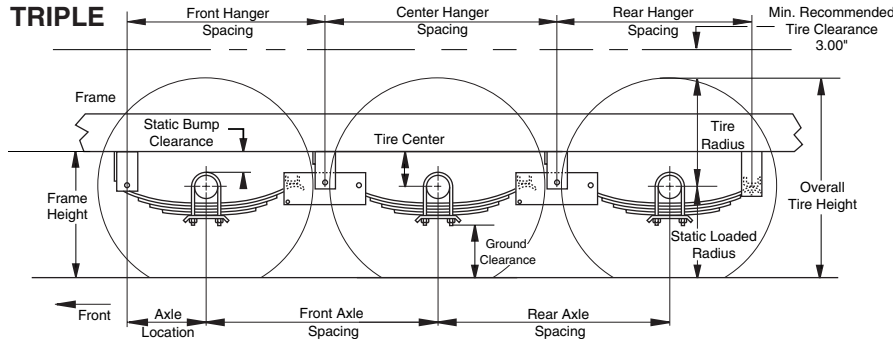
	HAP-205-01	HAP-205-02	HAP-205-03
Front Hanger Spacing	32.4	34.6	37.7
Rear Hanger Spacing	32.9	35.0	38.1
Static Bump Clearance	2.3	2.3	2.3
Tire Center	4.9	4.9	4.9
Axle Location	13.7	13.7	13.7
Front Axle Spacing	38.0	42.3	48.5

**9K Single Axle HAP-105-00**

Front Hanger Spacing	26.9
Static Bump Clearance	2.6
Tire Center	5.2
Axle Location	13.7

**9K 38" Multi-Axle**  
**Conversion Kit HAP-205-01**

Part No.	Qty	Description
029-039-04	2	Center Hanger
013-117-03	2	Equalizer
007-181-00	2	Spring Eye Bolt
007-007-00	2	Keeper Bolt
007-182-00	2	Equalizer Bolt
006-038-00	2	Locknut
006-011-00	2	Locknut
006-112-00	2	Locknut
059-203-00	1	Instruction Sheet



**9K 42.25" Multi-Axle**  
**Conversion Kit HAP-205-02**

Part No.	Qty	Description
029-039-04	2	Center Hanger
013-118-03	2	Equalizer
007-181-00	2	Spring Eye Bolt
007-007-00	2	Keeper Bolt
007-182-00	2	Equalizer Bolt
006-038-00	2	Locknut
006-011-00	2	Locknut
006-112-00	2	Locknut
059-203-00	1	Instruction Sheet

**9K 38" Triple Axle**  
**HAP-205-01 HAP-205-02 HAP-205-03**

	HAP-205-01	HAP-205-02	HAP-205-03
Front Hanger Spacing	32.4	34.6	37.7
Center Hanger Spacing	38.0	42.3	48.5
Rear Hanger Spacing	32.9	35.0	38.1
Static Bump Clearance	2.3	2.3	2.3
Tire Center	4.9	4.9	4.9
Axle Location	13.7	13.7	13.7
Front Axle Spacing	38.0	42.3	48.5
Rear Axle Spacing	38.0	42.3	48.5

**9K 48.5" Multi-Axle**  
**Conversion Kit HAP-205-03**

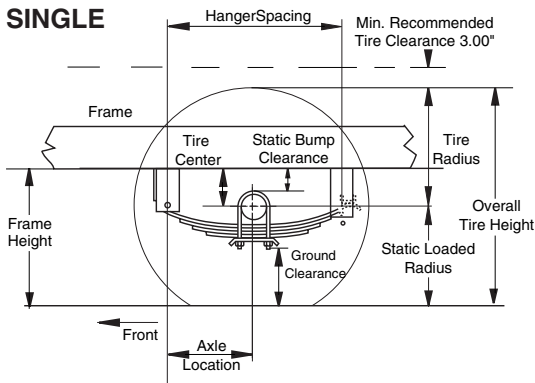
Part No.	Qty	Description
029-039-04	2	Center Hanger
013-119-03	2	Equalizer
007-181-00	2	Spring Eye Bolt
007-007-00	2	Keeper Bolt
007-182-00	2	Equalizer Bolt
006-038-00	2	Locknut
006-011-00	2	Locknut
006-112-00	2	Locknut
059-203-00	1	Instruction Sheet

**9K Axle Assemblies**

	38"	42.25"	48.50"
For single axle assemblies use (1) HAP-105-00			
Tandem	(1) HAP-105-00	(1) HAP-105-00	(1) HAP-105-00
	(1) HAP-205-01	(1) HAP-205-02	(1) HAP-205-03
Triple	(1) HAP-105-00	(1) HAP-105-00	(1) HAP-105-00
	(2) HAP-205-01	(2) HAP-205-02	(2) HAP-205-03

All dimensions are for underslung spring orientation only.

# Kits for 2 1/2" Wide Springs 3/4" Spring Eye Bolts

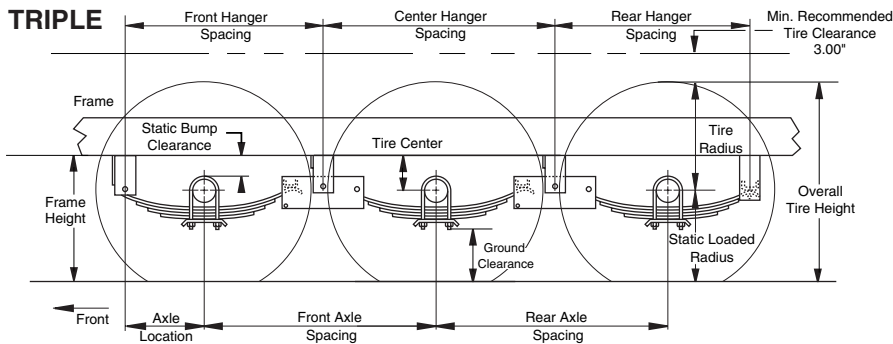


## 10K GD Single Axle HAP-158-00

Part No.	Qty	Description
028-074-02	2	Hanger
030-061-01	2	Rear Hanger
007-264-00	2	Spring Eye Bolt
006-113-00	2	Locknut
059-203-00	1	Instruction Sheet

## 10K GD Single Axle HAP-158-00

Front Hanger Spacing	27.4
Static Bump Clearance	1.9
Tire Center	5.0
Axle Location	14.0



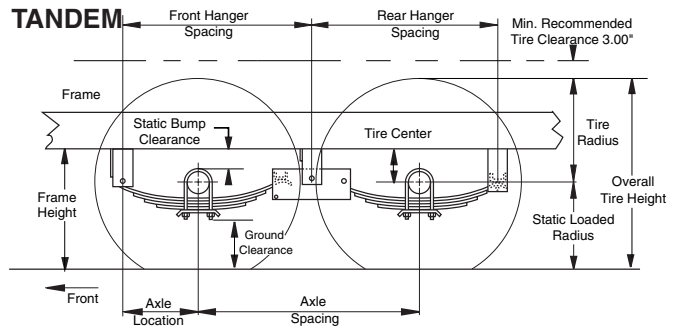
## 10K GD Triple Axle HAP-258-01 HAP-258-02 HAP-258-03

Front Hanger Spacing	33.0	35.1	38.3
Center Hanger Spacing	38.0	42.3	48.5
Rear Hanger Spacing	32.4	34.6	37.7
Static Bump Clearance	1.7	1.7	1.7
Tire Center	4.8	4.8	4.8
Axle Location	14.0	14.0	14.0
Front Axle Spacing	38.0	42.3	48.5
Rear Axle Spacing	38.0	42.3	48.5

## 10K GD Axle Assemblies

	38"	42.25"	48.50"
For single axle assemblies use (1) HAP-158-00			
Tandem	(1) HAP-158-00 (1) HAP-258-01	(1) HAP-158-00 (1) HAP-258-02	(1) HAP-158-00 (1) HAP-258-03
Triple	(1) HAP-158-00 (2) HAP-258-01	(1) HAP-158-00 (2) HAP-258-02	(1) HAP-158-00 (2) HAP-258-03

All dimensions are for underslung spring orientation only.



## 10K GD Tandem Axle

### HAP-258-01 HAP-258-02 HAP-258-03

Front Hanger Spacing	33.0	35.1	38.3
Rear Hanger Spacing	32.4	34.6	37.7
Static Bump Clearance	1.7	1.7	1.7
Tire Center	4.8	4.8	4.8
Axle Location	14.0	14.0	14.0
Front Axle Spacing	38.0	42.3	48.5

## 10K GD 38" Multi-Axle Conversion Kit HAP-258-01

Part No.	Qty	Description
006-112-00	2	Locknut
006-113-00	2	Locknut
007-264-00	2	Spring Eye Bolt
007-169-00	2	Equalizer Bolt
013-139-03	2	Equalizer
029-042-02	2	Center Hanger
059-203-00	1	Instruction Sheet

## 10K GD 42.25" Multi-Axle Conversion Kit HAP-258-02

Part No.	Qty	Description
006-112-00	2	Locknut
006-113-00	2	Locknut
007-264-00	2	Spring Eye Bolt
007-169-00	2	Equalizer Bolt
013-140-03	2	Equalizer
029-042-02	2	Center Hanger
059-203-00	1	Instruction Sheet

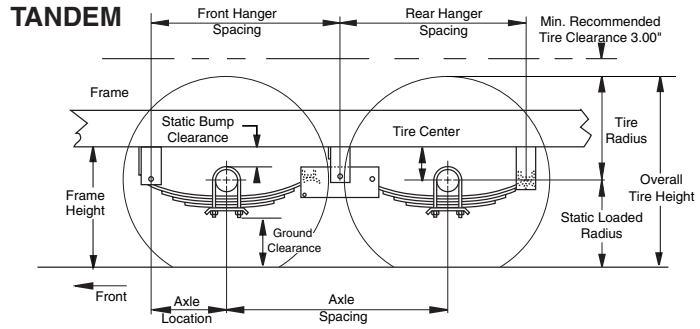
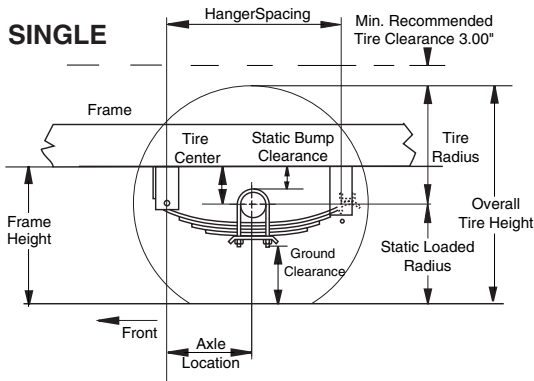
## 10K GD 48.5" Multi-Axle Conversion Kit HAP-258-03

Part No.	Qty	Description
006-112-00	2	Locknut
006-113-00	2	Locknut
007-264-00	2	Spring Eye Bolt
007-169-00	2	Equalizer Bolt
013-141-03	2	Equalizer
029-042-02	2	Center Hanger
059-203-00	1	Instruction Sheet

# Kits for 3" Wide Springs



SINGLE SLIPPER SUSPENSIONS



**10-15K Single Axle HAP-103-00**

Part No.	Qty	Description
028-067-04	2	Front Hanger
030-066-01	2	Rear Hanger
007-169-00	2	Spring Eye Bolt
007-095-00	2	Keeper Bolt
006-046-00	2	Locknut
006-112-00	2	Locknut
059-203-00	1	Instruction Sheet

**10-15K Tandem Axle  
HAP-203-01 HAP-203-02 HAP-203-03**

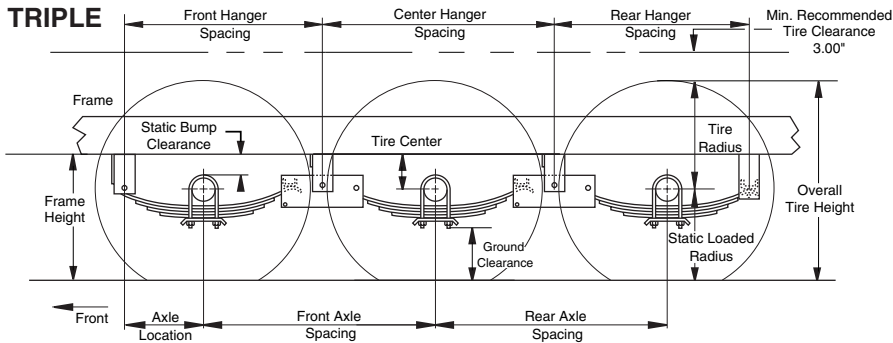
	HAP-203-01	HAP-203-02	HAP-203-03
Front Hanger Spacing	33.0	35.1	38.3
Rear Hanger Spacing	32.4	34.6	37.7
Static Bump Clearance	2.2	2.2	2.2
Tire Center	5.3	5.3	5.3
Axle Location	14.0	14.0	14.0
Front Axle Spacing	38.0	42.3	48.5

**10-15K Single Axle HAP-103-00**

Front Hanger Spacing	27.4
Static Bump Clearance	2.9
Tire Center	6.0
Axle Location	14.0

**10-15K 38" Multi-Axle  
Conversion Kit HAP-203-01**

Part No.	Qty	Description
029-043-02	2	Center Hanger
013-107-07	2	Equalizer
007-169-00	2	Spring Eye Bolt
007-095-00	2	Keeper Bolt
007-170-00	2	Equalizer Bolt
006-046-00	2	Locknut
006-072-00	2	Locknut
006-112-00	2	Locknut
059-203-00	1	Instruction Sheet



**10-15K 42.25" Multi-Axle  
Conversion Kit HAP-203-02**

Part No.	Qty	Description
029-043-02	2	Center Hanger
013-108-03	2	Equalizer
007-169-00	2	Spring Eye Bolt
007-095-00	2	Keeper Bolt
007-170-00	2	Equalizer Bolt
006-046-00	2	Locknut
006-072-00	2	Locknut
006-112-00	2	Locknut
059-203-00	1	Instruction Sheet

**10-15K Triple Axle  
HAP-203-01 HAP-203-02 HAP-203-03**

	HAP-203-01	HAP-203-02	HAP-203-03
Front Hanger Spacing	33.0	35.1	38.3
Center Hanger Spacing	38.0	42.3	48.5
Rear Hanger Spacing	32.4	34.6	37.7
Static Bump Clearance	2.0	2.0	2.0
Tire Center	5.1	5.1	5.1
Axle Location	14.0	14.0	14.0
Front Axle Spacing	38.0	42.3	48.5
Rear Axle Spacing	38.0	42.3	48.5

**10-15K 48.5" Multi-Axle  
Conversion Kit HAP-203-03**

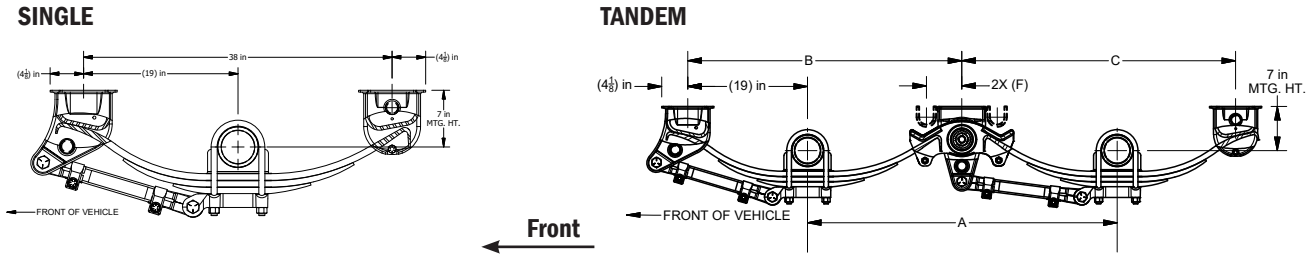
Part No.	Qty	Description
029-043-02	2	Center Hanger
013-109-03	2	Equalizer
007-169-00	2	Spring Eye Bolt
007-095-00	2	Keeper Bolt
007-170-00	2	Equalizer Bolt
006-046-00	2	Locknut
006-072-00	2	Locknut
006-112-00	2	Locknut
059-203-00	1	Instruction Sheet

**10-15K Axle Assemblies**

	38"	42.25"	48.50"
For single axle assemblies use (1) HAP-103-00			
Tandem	(1) HAP-103-00 (1) HAP-203-01	(1) HAP-103-00 (1) HAP-203-02	(1) HAP-103-00 (1) HAP-203-03
Triple	(1) HAP-103-00 (2) HAP-203-01	(1) HAP-103-00 (2) HAP-203-02	(1) HAP-103-00 (2) HAP-203-03

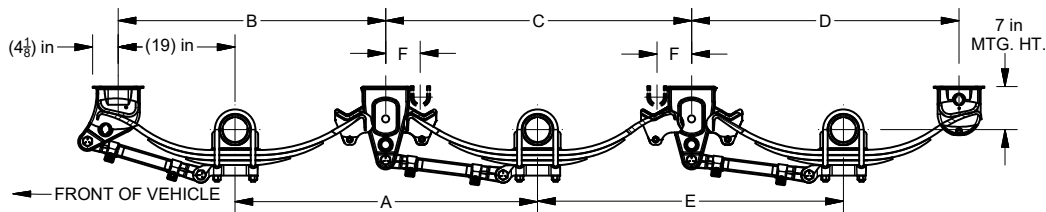
All dimensions are for underslung spring orientation only.

# HDSS Underslung



Axle Spacing	A	B	C	F
49 in	49 3/16 in	43 1/2 in	43 1/2 in	N/A
54 in	54 7/32 in	46 1/32 in	46 7/32 in	8 3/8 in
60 in	60 7/32 in	49 1/32 in	49 7/32 in	11 15/32 in

## TRIPLE



Axle Spacing	A	B	C	D	E	F
49 in	49 3/16 in	43 1/2 in	49 3/4 in	43 1/2 in	49 3/4 in	N/A
54 in	54 7/32 in	46 1/32 in	54 3/4 in	46 7/32 in	54 3/4 in	8 3/8 in
60 in	60 7/32 in	49 1/32 in	60 3/4 in	49 7/32 in	60 3/4 in	11 15/32 in

### 10-25K Single Axle Kit Contents

Part No.	Qty	Description
028-082-05	2	Front Hanger
030-075-05	2	Rear Hanger
062-010-10	1	Track Rod Bushed Adj 19.25
062-011-10	1	Track Rod Bushed Fixed 19.25
007-169-00	4	Track Rod Bolt 1-8 x 5.50 UNC
006-278-00	4	Track Rod Locknut 1-8 UNC
033-091-00	2	Keeper Bolt Sleeve
007-294-00	2	Spring Keeper Bolt 5/8-18 x 4.50 UNF
006-126-00	2	Keeper Bolt Locknut 5/8-18 UNF
059-918-00	1	Instruction Sheet

### 10-25K Multi Axle Kit Contents

Part No.	Qty	Description	Axle Spacing
029-044-10	2	Center Hanger and EQ Assembly HAP-261-01	49"
062-010-10	1	Track Rod Bushed Adj 19.25	49"
062-011-10	1	Track Rod Bushed Fixed 19.25	49"
029-049-10	2	Center Hanger and EQ Assembly HAP-162-01	54"
062-010-54	1	Track Rod Bushed Adj 21.75	54"
062-011-54	1	Track Rod Bushed Fixed 21.75	54"
029-049-20	2	Center Hanger and EQ Assembly HAP-163-01	60"
062-010-60	1	Track Rod Bushed Adj. 24.75	60"
062-011-60	1	Track Rod Bushed Fixed 24.75	60"
007-169-00	4	Track Rod Bolt 1-8 x 5.50 UNC	-
006-278-00	4	Track Rod Locknut 1-8 UNC	-
033-091-00	4	Keeper Bolt Sleeve	-
007-294-00	4	Spring Keeper Bolt 5/8-18 x 4.50 UNF	-
006-126-00	4	Keeper Bolt Locknut 5/8-18 UNF	-
059-918-00	1	Instruction Sheet	-

## Suspension Kits

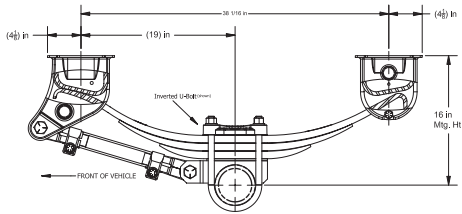
Order appropriate number of HAP kits for a complete suspension

HDSS Underslung		
	HAP-161-01	HAP-261-01
<b>49"</b>		
Qty for Single	1	n/a
Qty for Tandem	1	1
Qty for Triple	1	2
<b>54"</b>		
Qty for Single	1	n/a
Qty for Tandem	1	1
Qty for Triple	1	2
<b>60"</b>		
Qty for Single	1	n/a
Qty for Tandem	1	1
Qty for Triple	1	2

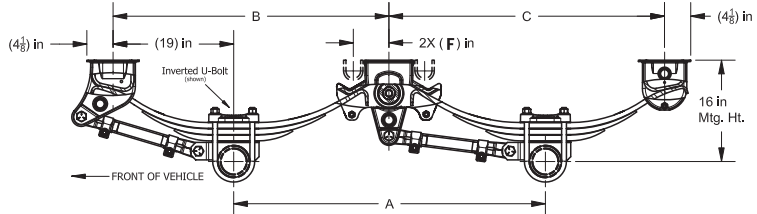
### OPTIONAL KITS - Per Axle

HAP-166-00 Bump Stops (One Pair)

### SINGLE

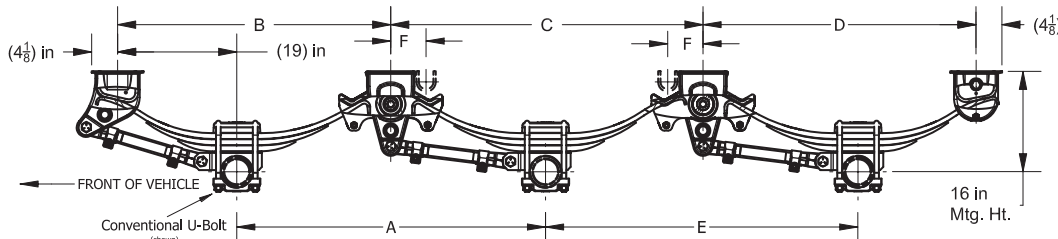


### TANDEM



Axle Spacing	A	B	C	F
49 in	49 in	43 1/2 in	43 1/2 in	5 5/8 in
54 in	54 3/16 in	46 1/16 in	46 in	8 3/8 in
60 in	60 3/16 in	49 1/16 in	49 in	11 7/16 in

### TRIPLE



Axle Spacing	A	B	C	D	E	F
49 in	49 3/16 in	43 1/2 in	49 3/4 in	43 1/2 in	49 3/4 in	5 5/8 in
54 in	54 3/16 in	46 1/16 in	54 3/4 in	46 in	54 3/4 in	8 3/8 in
60 in	60 3/16 in	49 1/16 in	60 3/4 in	49 in	60 3/4 in	11 7/16 in

#### 10-25K Single Axle Kit Contents

Part No.	Qty	Description
028-082-05	2	Front Hanger
030-075-05	2	Rear Hanger
062-010-10	1	Track Rod Bushed Adj 19.25
062-011-10	1	Track Rod Bushed Fixed 19.25
007-169-00	4	Track Rod Bolt 1-8 x 5.50 UNC
006-278-00	4	Track Rod Locknut 1-8 UNC
033-091-00	2	Keeper Bolt Sleeve
007-294-00	2	Spring Keeper Bolt 5/8-18 x 4.50 UNF
006-126-00	2	Keeper Bolt Locknut 5/8-18 UNF
059-918-00	1	Instruction Sheet

#### 10-25K Multi Axle Kit Contents

Part No.	Qty	Description	Axle Spacing
029-044-10	2	Center Hanger and EQ Assembly HAP-261-01	49"
062-010-10	1	Track Rod Bushed Adj 19.25	49"
062-011-10	1	Track Rod Bushed Fixed 19.25	49"
029-049-10	2	Center Hanger and EQ Assembly HAP-162-01	54"
062-010-54	1	Track Rod Bushed Adj 21.75	54"
062-011-54	1	Track Rod Bushed Fixed 21.75	54"
029-049-20	2	Center Hanger and EQ Assembly HAP-163-01	60"
062-010-60	1	Track Rod Bushed Adj. 24.75	60"
062-011-60	1	Track Rod Bushed Fixed 24.75	60"
007-169-00	4	Track Rod Bolt 1-8 x 5.50 UNC	-
006-278-00	4	Track Rod Locknut 1-8 UNC	-
033-091-00	4	Keeper Bolt Sleeve	-
007-294-00	4	Spring Keeper Bolt 5/8-18 x 4.50 UNF	-
006-126-00	4	Keeper Bolt Locknut 5/8-18 UNF	-
059-918-00	1	Instruction Sheet	-

### Suspension Kits

Order appropriate number of HAP kits for a complete suspension

HDSS Overslung		
49"	HAP-161-01	HAP-261-01
Qty for Single	1	n/a
Qty for Tandem	1	1
Qty for Triple	1	2
54"	HAP-161-01	HAP-162-01
Qty for Single	1	n/a
Qty for Tandem	1	1
Qty for Triple	1	2
60"	HAP-161-01	HAP-163-01
Qty for Single	1	n/a
Qty for Tandem	1	1
Qty for Triple	1	2

#### OPTIONAL KITS - Per Axle

HAP-164-01 Attaching Parts Kit - Inverted U-Bolts

(Spring Seats, Tie Plates, and Attaching Hardware)

HAP-165-01 Attaching Parts Kit - Conventional U-Bolts

(Spring Seats, Tie Plates, and Attaching Hardware)

HAP-166-00 Bump Stops (One Pair)