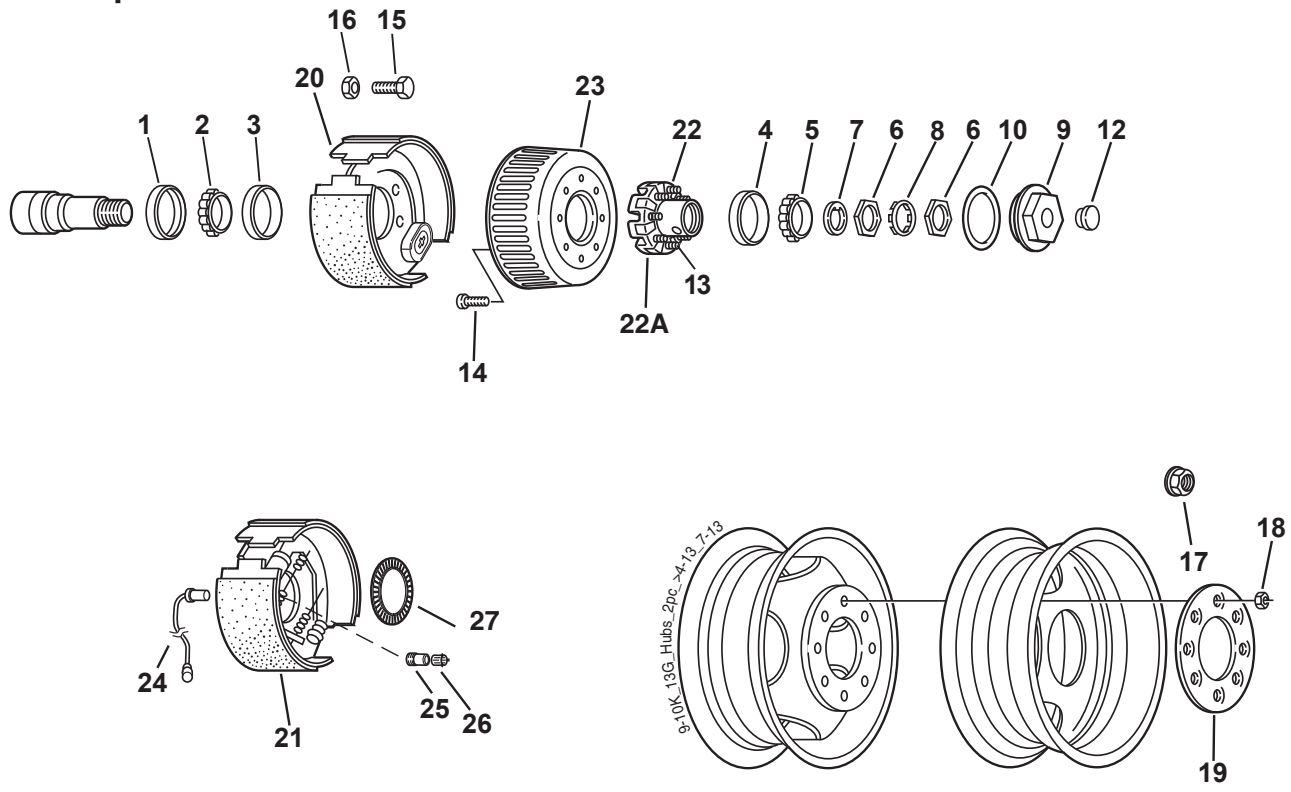


9K, 10K, and #13G General Duty Two-Piece Hubs



9,000-10,000 GD CAPACITY

After April 2013



Standard Oil Lube Parts

| Item | Part No. | Description |
|------|------------|--------------------------|
| 1 | 010-051-02 | Oil Seal |
| 2 | 031-019-02 | 387A Inner Bearing Cone |
| 3 | 031-019-01 | 382A Inner Bearing Cup |
| 4 | 031-030-01 | 25520 Outer Bearing Cup |
| 5 | 031-030-02 | 25580 Outer Bearing Cone |
| 6 | 006-096-00 | Spindle Nut (2) |
| 7 | 005-070-00 | Spindle Washer |
| 8 | 005-071-00 | Tang Washer |
| 9 | 021-088-00 | Oil Cap |
| 10 | 010-163-00 | 'O' Ring |
| 12 | 046-032-00 | Oil Cap Plug |
| 13 | 007-115-00 | 5/8-18 Wheel Stud |
| 14 | 007-292-00 | Drum Mounting Screw |
| 15 | 007-116-00 | Brake Mounting Bolt |
| 16 | 006-017-00 | Brake Mounting Nut |
| ns | 005-008-00 | Lockwasher |

Hub & Drum

| Item | Part No. | Description |
|------|------------|---------------------------------------|
| ns | 008-430-05 | Oil Hub and Drum w/Cups and Studs |
| 22 | 008-430-03 | Oil Hub w/Cups and Studs |
| 23 | 009-123-01 | Drum - Machined |
| ns | 008-430-07 | Oil Hub and Drum w/Cups and Studs ABS |
| 22 | 008-430-03 | Oil Hub w/Cups and Studs |
| ns | 009-123-03 | Drum - for ABS |

ns - not shown

12 1/4" x 3 3/8" Brakes

| Item | Part No. | Description |
|------|-----------------------|--|
| 20 | K23-450-00/K23-451-00 | LH/RH Electric, FSA |
| 21 | K23-410-00/K23-411-00 | LH/RH Hydraulic, FSA, Duo-Servo |
| 21 | K23-210-00/K23-211-00 | LH/RH Hydraulic, RSA, Du-Servo w/Park |
| ns | K23-412-00/K23-413-00 | LH/RH Hydraulic, FSA, Single-Servo |
| ns | K23-234-00/K23-235-00 | LH/RH Hydraulic, Manual Adjust Single-Servo w/Park |

ABS Components

| Item | Part No. | Description |
|------|------------|------------------|
| 24 | 097-004-00 | Sensor, Straight |
| 25 | 024-204-00 | Sensor Block |
| 26 | 097-002-00 | Sensor Clip |
| 27 | 024-205-01 | Tone Ring |
| ns | 007-248-00 | Tone Ring Screws |

Studs and Wheel Nuts

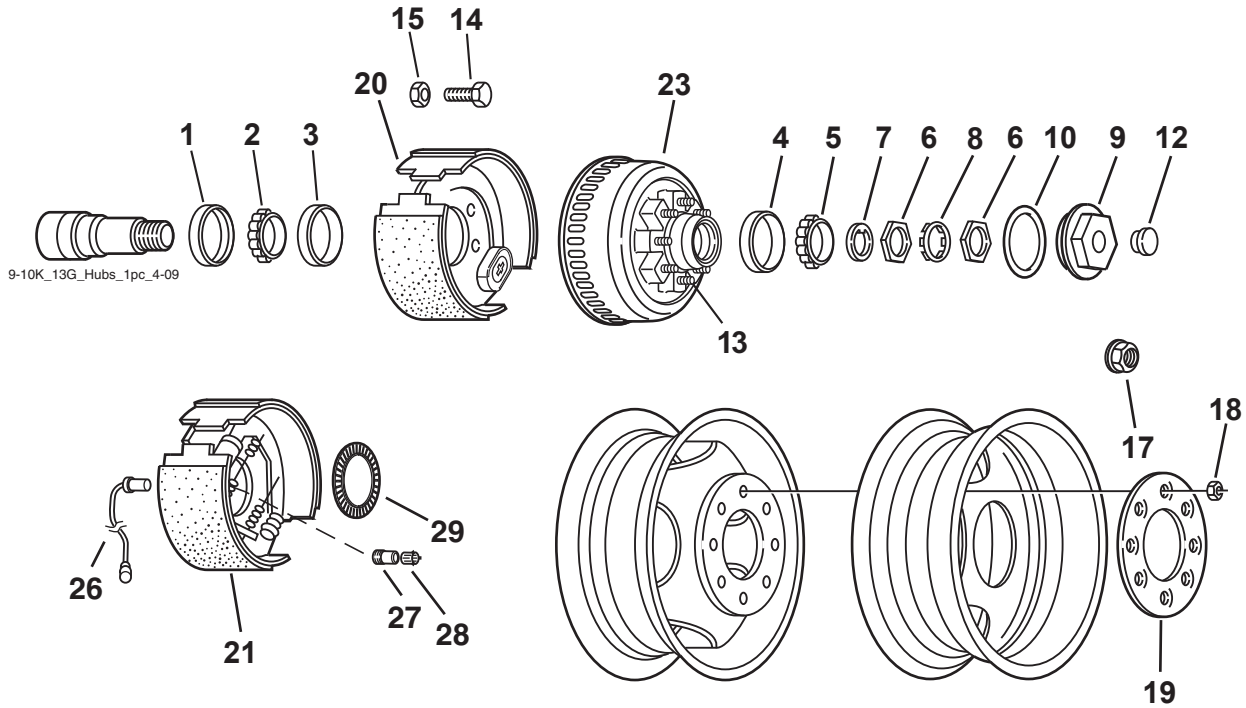
| Item | Part No. | Description | Nut Torque |
|------|------------|----------------------|-------------|
| 18* | 006-109-00 | 5/8-18 90° Cone Nut | 200 lbs.-ft |
| 19* | 033-052-01 | Clamp Ring | |
| 17 | 006-058-00 | 5/8-18 Flange Nut | 300 lbs.-ft |
| 13 | 007-115-00 | 5/8-18 Press-in Stud | |

* Must use the 90° cone nut with the clamp ring. Alternate fastener is just the flange nut.

9K, 10K, and #13G General Duty One-Piece Hubs



After July 2009



Note: Dual wheel cannot be used with 13G

Standard Oil Lube Parts

| Item | Part No. | Description |
|------|------------|--------------------------|
| 1 | 010-051-02 | Oil Seal |
| 2 | 031-019-02 | 387A Inner Bearing Cone |
| 3 | 031-019-01 | 382A Inner Bearing Cup |
| 4 | 031-030-01 | 25520 Outer Bearing Cup |
| 5 | 031-030-02 | 25580 Outer Bearing Cone |
| 6 | 006-096-00 | Spindle Nut (2) |
| 7 | 005-070-00 | Spindle Washer |
| 8 | 005-071-00 | Tang Washer |
| 9 | 021-088-00 | Oil Cap |
| 10 | 010-163-00 | 'O' Ring |
| 12 | 046-032-00 | Oil Cap Plug |
| 13 | 007-115-00 | 5/8-18 Wheel Stud |
| 14 | 007-116-00 | Brake Mounting Bolt |
| 15 | 006-017-00 | Brake Mounting Nut |
| ns | 005-008-00 | Lockwasher |

Hub & Drum

| Item | Part No. | Description |
|------|------------|---------------------------|
| 23 | 008-415-02 | Hub & Drum Assembly |
| ns | 008-415-04 | Hub & Drum Assembly - ABS |

ns - not shown

12 1/4" x 3 3/8" Brakes

| Item | Part No. | Description |
|------|-----------------------|--|
| 20 | K23-450-00/K23-451-00 | LH/RH Electric, FSA |
| 21 | K23-410-00/K23-411-00 | LH/RH Hydraulic, FSA, Duo-Servo |
| 21 | K23-210-00/K23-211-00 | LH/RH Hydraulic, RSA, Du-Servo w/Park |
| ns | K23-412-00/K23-413-00 | LH/RH Hydraulic, FSA, Single-Servo |
| ns | K23-234-00/K23-235-00 | LH/RH Hydraulic, Manual Adjust Single-Servo w/Park |

ABS Components

| Item | Part No. | Description |
|------|------------|------------------|
| 26 | 097-004-00 | Sensor, Straight |
| 27 | 024-204-00 | Sensor Block |
| 28 | 097-002-00 | Sensor Clip |
| 29 | 024-205-01 | Tone Ring |
| ns | 007-248-00 | Tone Ring Screws |

Studs and Wheel Nuts

| Item | Part No. | Description | Nut Torque |
|------|------------|----------------------|-------------|
| 18* | 006-109-00 | 5/8-18 90° Cone Nut | 200 lbs.-ft |
| 19* | 033-052-01 | Clamp Ring | |
| 17 | 006-058-00 | 5/8-18 Flange Nut | 300 lbs.-ft |
| 13 | 007-115-00 | 5/8-18 Press-in Stud | |

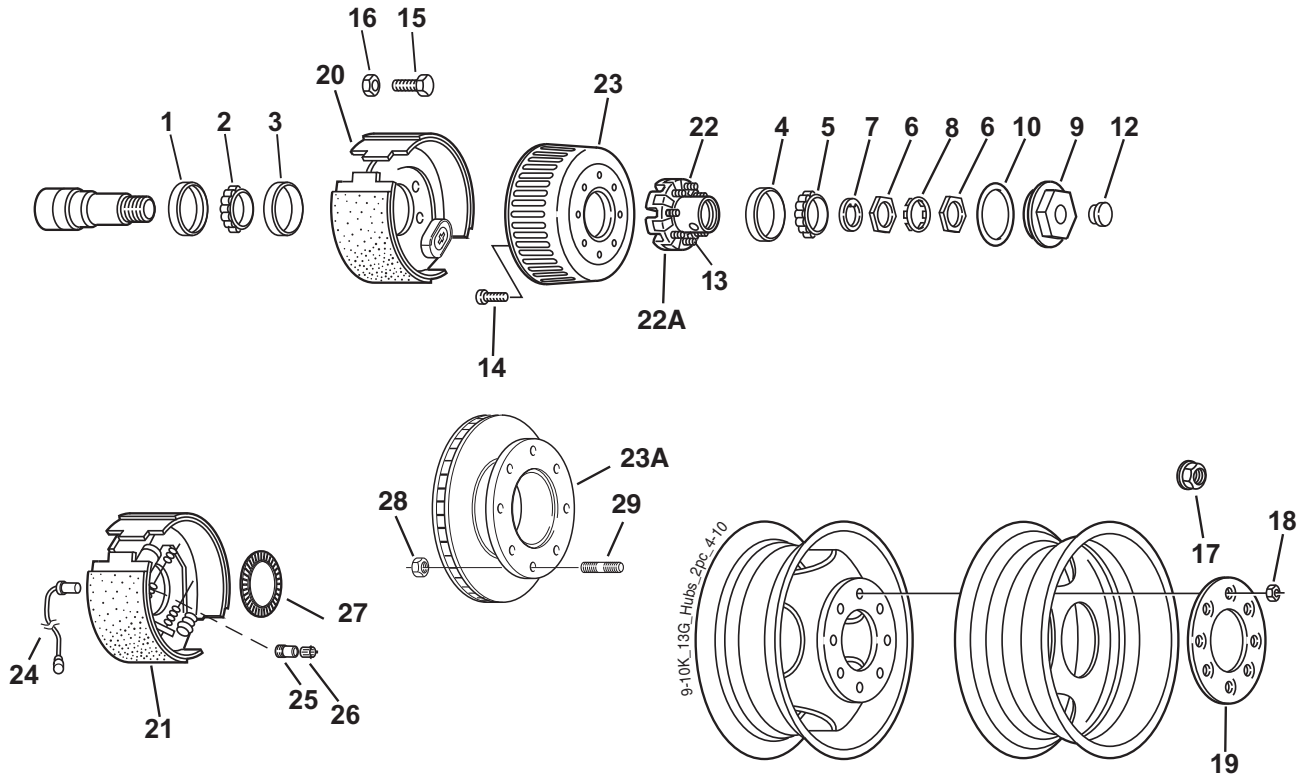
* Must use the 90° cone nut with the clamp ring. Alternate fastener is just the flange nut.

9K, 10K, #13G, #14T General Duty Two-Piece Hubs



9,000-10,000 GD CAPACITY

Before July 2009



Standard Oil Lube Parts

| Item | Part No. | Description |
|------|------------|--------------------------|
| 1 | 010-051-02 | Oil Seal |
| 2 | 031-019-02 | 387A Inner Bearing Cone |
| 3 | 031-019-01 | 382A Inner Bearing Cup |
| 4 | 031-030-01 | 25520 Outer Bearing Cup |
| 5 | 031-030-02 | 25580 Outer Bearing Cone |
| 6 | 006-096-00 | Spindle Nut (2) |
| 7 | 005-070-00 | Spindle Washer |
| 8 | 005-071-00 | Tang Washer |
| 9 | 021-036-00 | Oil Cap |
| 10 | 010-050-00 | 'O' Ring |
| 12 | 046-032-00 | Oil Cap Plug |
| 13 | 007-115-00 | 5/8-18 Wheel Stud |
| 14 | 007-245-00 | Drum Mounting Screw |
| 15 | 007-116-00 | Brake Mounting Bolt |
| 16 | 006-017-00 | Brake Mounting Nut |
| ns | 005-008-00 | Lockwasher |

Hub & Drum

| Item | Part No. | Description |
|------|------------|-----------------------------------|
| 22 | 008-288-03 | Oil Hub w/Cups and Studs |
| 23 | 009-044-01 | Drum - Machined |
| ns | 009-044-03 | Drum - for ABS |
| ns | 008-288-05 | Oil Hub and Drum w/Cups and Studs |

Hub & Rotor Available on #13G Not Offered on D90, D100G, #14T

| Item | Part No. | Description |
|------|------------|--------------------------|
| 22A | 008-288-07 | Oil Hub w/Cups and Studs |
| 23A | 070-006-01 | Brake Rotor |
| 28 | 006-046-00 | Rotor Mounting Nut |
| 29 | 025-014-00 | Rotor Mounting Stud |

12 1/4" x 3 3/8" Brakes

| Item | Part No. | Description |
|------|-----------------------|--|
| 20 | K23-450-00/K23-451-00 | LH/RH Electric, FSA |
| 21 | K23-410-00/K23-411-00 | LH/RH Hydraulic, FSA, Duo-Servo |
| 21 | K23-210-00/K23-211-00 | LH/RH Hydraulic, RSA, Du-Servo w/Park |
| ns | K23-412-00/K23-413-00 | LH/RH Hydraulic, FSA, Single-Servo |
| ns | K23-234-00/K23-235-00 | LH/RH Hydraulic, Manual Adjust Single-Servo w/Park |

ABS Components

| Item | Part No. | Description |
|------|------------|------------------|
| 24 | 097-004-00 | Sensor, Straight |
| 25 | 024-204-00 | Sensor Block |
| 26 | 097-002-00 | Sensor Clip |
| 27 | 024-203-00 | Tone Ring |

Studs and Wheel Nuts

| Item | Part No. | Description | Nut Torque |
|------|------------|----------------------|-------------|
| 18* | 006-109-00 | 5/8-18 90° Cone Nut | 200 lbs.-ft |
| 19* | 033-052-01 | Clamp Ring | |
| 17 | 006-058-00 | 5/8-18 Flange Nut | 300 lbs.-ft |
| 13 | 007-115-00 | 5/8-18 Press-in Stud | |

ns - not shown

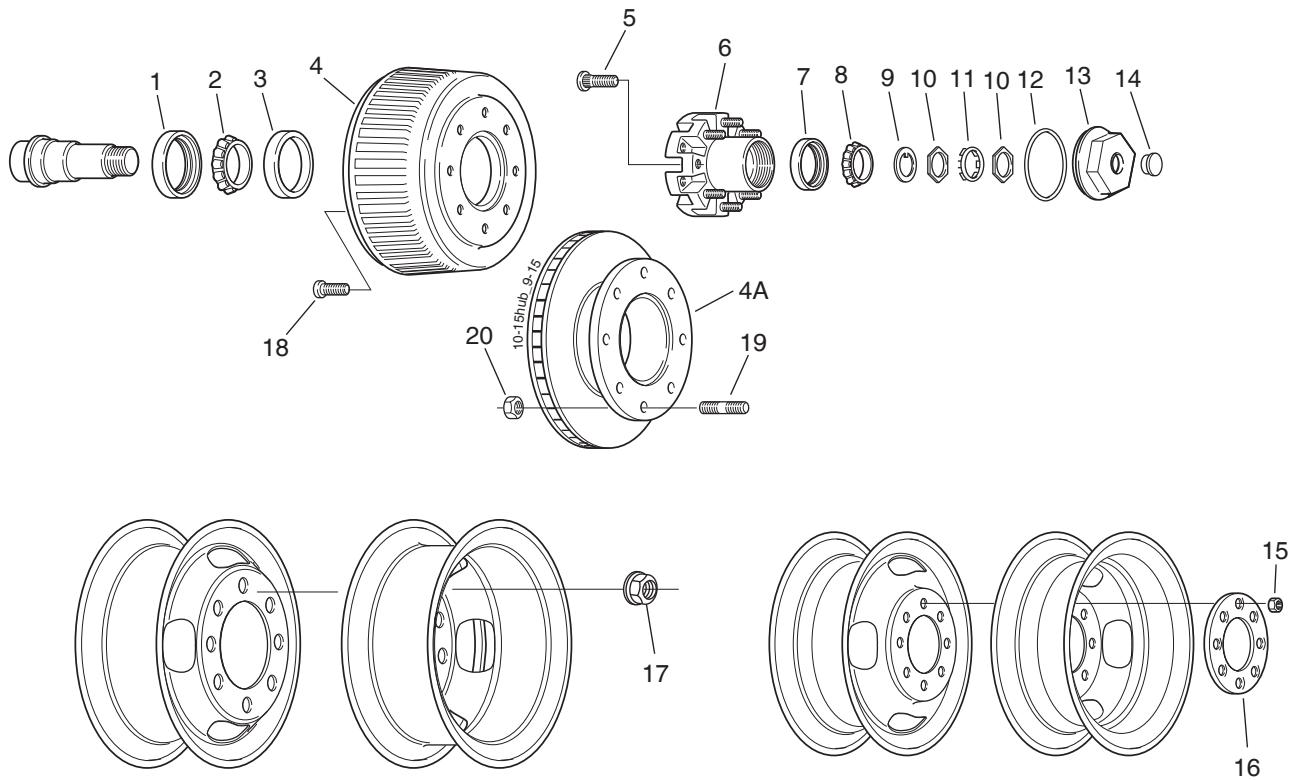
* Must use the 90° cone nut with the clamp ring. Alternate fastener is just the flange nut.

One-piece hub/drum is not interchangeable with the two-piece hub & drum.

10K, 12K, 15K, #13D, and #14 Hubs



10,000-15,000 CAPACITY



| Item | Description | 10K, #13D 8 on 6.50 | 10K, #13D Disc 8 on 6.50 | 12K Low-Profile 8 on 6.50 | 12K Hi-Profile 8 on 6.50 | #14 Hi-Profile 8 on 6.50 | #14 Disc 8 on 6.50 | 12K Disc 8 on 6.50 | 15K 8 on 275 mm |
|------|--------------------------|------------------------|--------------------------------|---------------------------------|--------------------------------|--------------------------------|--------------------------|--------------------------|---|
| 1 | Unitized Oil Seal | 010-056-00 | 010-056-00 | 010-056-00 | 010-056-00 | 010-056-00 | 010-056-00 | 010-056-00 | 010-056-00 |
| 2 | Inner Bearing Cone | 031-022-02 (395S) | 031-022-02 (395S) | 031-020-02 (3984) | 031-020-02 (3984) | 031-020-02 (3984) | 031-020-02 (3984) | 031-020-02 (3984) | 031-023-02 (39520) |
| 3 | Inner Bearing Cup | 031-022-01 (394A) | 031-022-01 (394A) | 031-020-01 (3920) | 031-020-01 (3920) | 031-020-01 (3920) | 031-020-01 (3920) | 031-020-01 (3920) | 031-023-01 (39590) |
| 4 | Brake Drum | 009-027-01 | - | 009-028-01 | 009-028-01 | 009-028-01 | - | - | 009-028-01 |
| 4 | Brake Drum-ABS | 009-027-03 | - | 009-028-05 | 009-028-05 | 009-028-05 | - | - | 009-028-05 |
| 4A | Brake Rotor | - | 070-006-01 | - | - | - | 070-010-02 | 070-006-01 | - |
| 4A | Brake Rotor-ABS | - | 070-006-02 | - | - | - | - | 070-006-02 | - |
| 5 | Wheel Mounting Stud | 007-115-00 | 007-115-00 | 007-115-00 | 007-115-00 | 007-115-00 | 007-115-00 | 007-115-00 | 007-194-00 (std) 007-195-00 (long) |
| 6 | Hubs w/Cups & Studs | 008-214-05 | 008-214-06 | 008-216-08 | 008-214-08 | 008-422-03 | 008-422-04 | 008-214-10 | 008-401-05 (std stud) 008-401-06 (long stud) |
| 7 | Outer Bearing Cup | 031-019-01 (382A) | 031-019-01 (382A) | 031-021-01 (28622) | 031-021-01 (28622) | 031-021-01 (28622) | 031-021-01 (28622) | 031-021-01 (28622) | 031-021-01 (28622) |
| 8 | Outer Bearing Cone | 031-019-02 (387A) | 031-019-02 (387A) | 031-021-02 (28682) | 031-021-02 (28682) | 031-021-02 (28682) | 031-021-02 (28682) | 031-021-02 (28682) | 031-021-02 (28682) |
| 9 | Spindle Washer | 005-060-00 | 005-060-00 | 005-060-00 | 005-060-00 | 005-060-00 | 005-060-00 | 005-060-00 | 005-060-00 |
| 10 | Spindle Nut | 006-084-00 | 006-084-00 | 006-084-00 | 006-084-00 | 006-084-00 | 006-084-00 | 006-084-00 | 006-084-00 |
| 11 | Tang Washer | 005-059-00 | 005-059-00 | 005-059-00 | 005-059-00 | 005-059-00 | 005-059-00 | 005-059-00 | 005-059-00 |
| 12 | Oil Cap "O" Ring | 010-050-00 | 010-050-00 | 010-050-00 | 010-050-00 | 010-050-00 | 010-050-00 | 010-050-00 | 010-050-00 |
| 13 | Oil Cap | 021-036-00 | 021-036-00 | 021-036-00 | 021-036-00 | 021-036-00 | 021-036-00 | 021-036-00 | 021-036-00 |
| 14 | Oil Cap Plug | 046-032-00 | 046-032-00 | 046-032-00 | 046-032-00 | 046-032-00 | 046-032-00 | 046-032-00 | 046-032-00 |
| 15 | Wheel Nut | 006-109-00 | 006-109-00 | 006-109-00 | 006-109-00 | 006-109-00 | 006-109-00 | 006-109-00 | - |
| 16 | Wheel Clamp Ring | 033-052-01 | 033-052-01 | 033-052-01 | 033-052-01 | 033-052-01 | 033-052-01 | 033-052-01 | - |
| 17 | Flange Nut (swivel) | 006-209-00 | 006-209-00 | 006-209-00 | 006-209-00 | 006-209-00 | - | 006-209-00 | 006-118-00 |
| 18 | Drum Mounting Screw | 007-244-00 | - | 007-244-00 | 007-244-00 | 007-245-00 | - | - | 007-244-00 |
| 19 | Rotor Mounting Stud | - | 025-014-00 | - | - | - | - | 025-014-00 | - |
| 20 | Rotor Mounting Nut | - | 006-046-00 | - | - | - | - | 006-046-00 | - |
| 21 | Disc Mounting Screw (ns) | - | - | - | - | - | 007-292-00 | - | - |

ns - not shown

10,000 Lb. Heavy Duty Wheel & Hub Assembly



WHEEL & HUB ASSEMBLY

Tapered roller bearings

Computer matched to Dexter Axle system
 Outer: 031-019-01 (382A) cup, 031-019-02 (387A) cone
 Inner: 031-022-01 (394A) cup, 031-022-02 (395S) cone

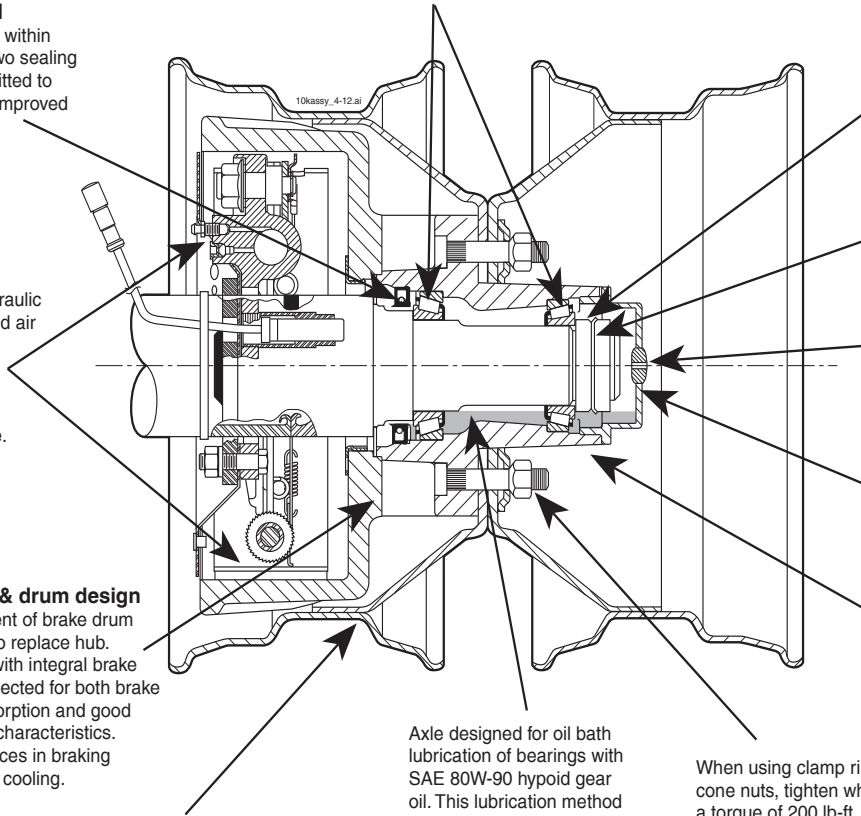
Unitized Seal

Seals internally within the seal, with two sealing lips and press fitted to the spindle for improved performance.

12¼" x 4" high performance hydraulic brake. Electric and air brake, parking feature and uni-servo hydraulic brakes are also available.

Two piece hub & drum design permits replacement of brake drum without the need to replace hub. Cast brake drum with integral brake armature. Alloy selected for both brake energy (heat) absorption and good magnetic braking characteristics. Finned outer surfaces in braking area for maximum cooling.

Dual and single wheel design



Hardened spindle washer.

Bearing adjustment nuts with tang locking washer keyed to spindle to maintain precision bearing adjustment.

Removable rubber oil filler plug for ease of maintenance.

Transparent polycarbonate oil cap with oil level indicator mark to allow visual checking for adequate lubricant.

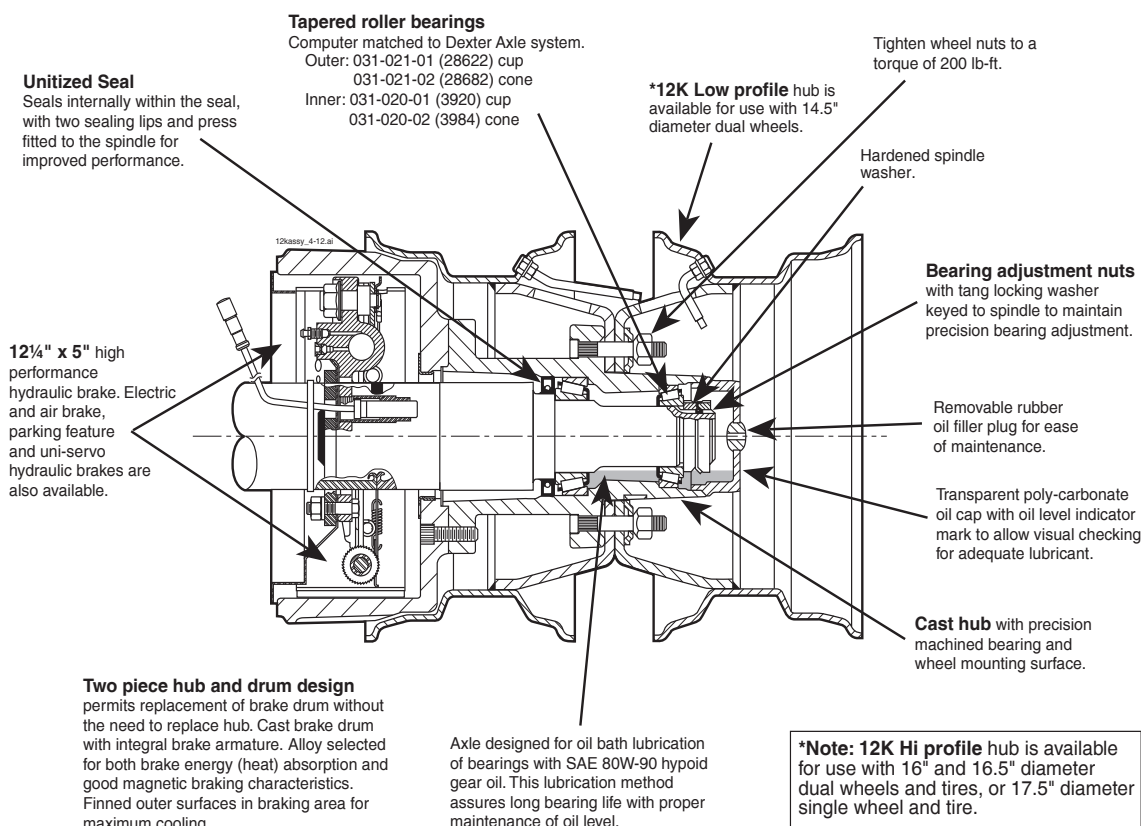
Cast hub with precision machined bearing and wheel mounting surfaces.

Axle designed for oil bath lubrication of bearings with SAE 80W-90 hypoid gear oil. This lubrication method assures long bearing life with proper maintenance of oil level.

When using clamp ring and 90° cone nuts, tighten wheel nuts to a torque of 200 lb-ft.

12,000 Lb. Wheel & Hub Assembly

WHEEL & HUB ASSEMBLY



15,000 Lb. Wheel & Hub Assembly

