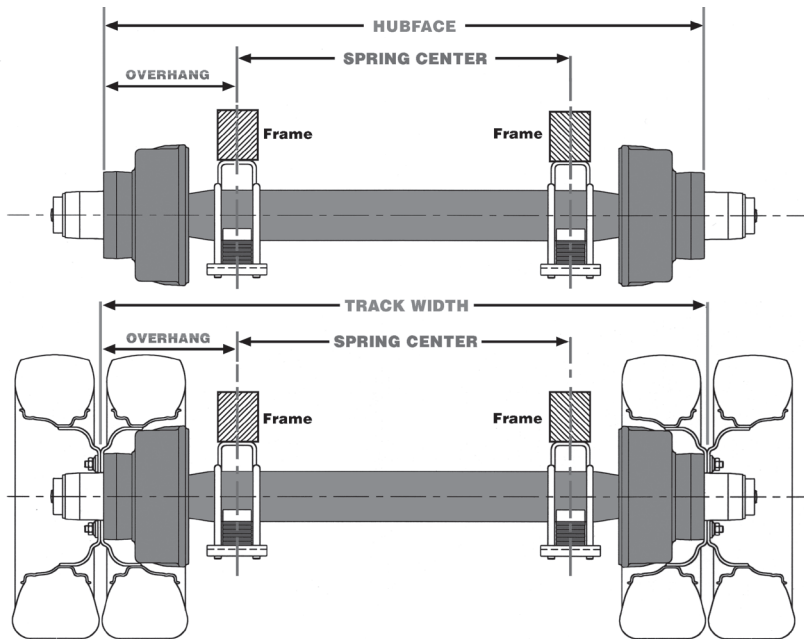
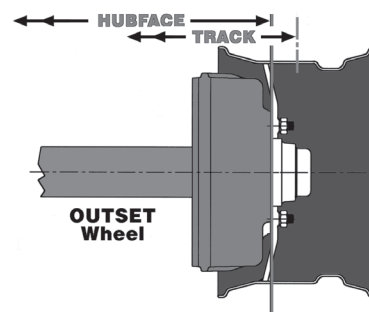
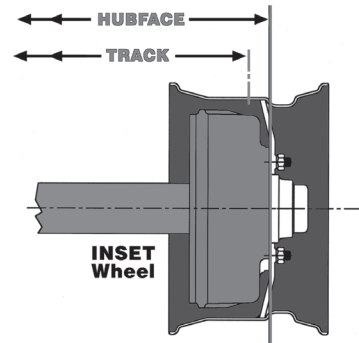


## Options for Spring Suspension Axles

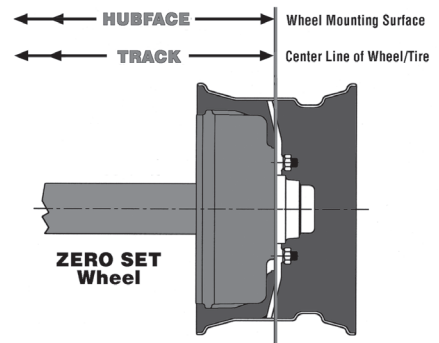
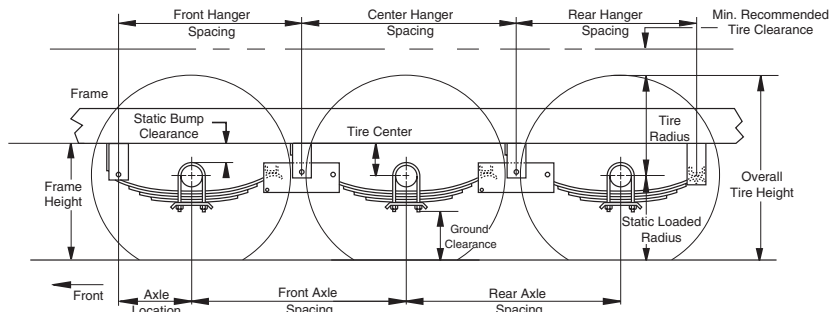
### Hubface – Track Width – Spring Center



### Wheel Offset

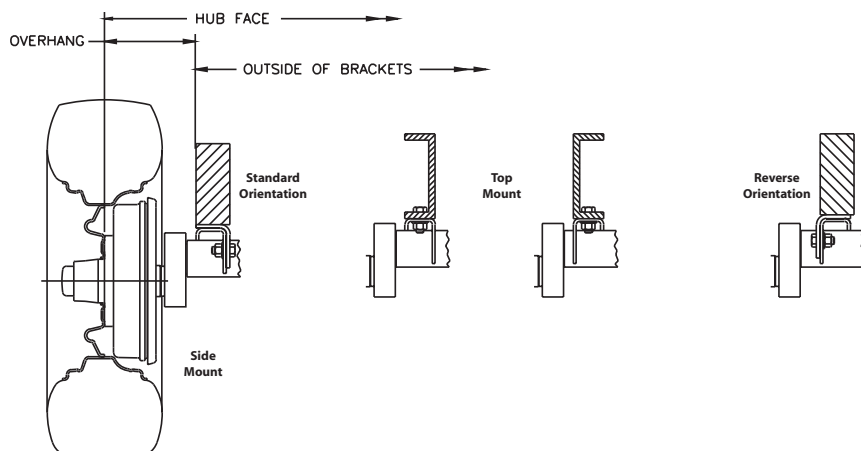


### Axle Spacing



## Options for Torflex® Suspension Axles

### Bracket Orientation



### Bracket Profile

