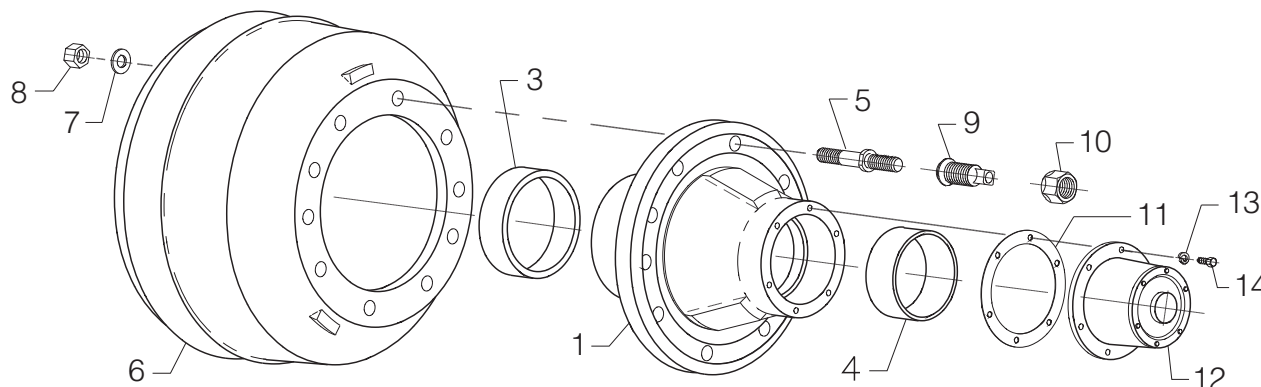


10 Stud on 8 3/4" Hubs With Inboard Drums

HUBS & DRUMS: 12 1/4" X 7 1/2" BRAKE SIZE

For use with 15" or 17.5" ball seat mounted steel disc wheels

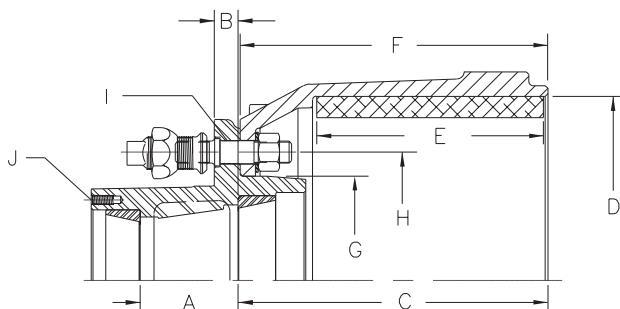


Item	Part No.	Qty	Description	Comments
0	008-277-71	1	LH Assembly Hub & Drum 10 Stud 8 3/4" BC	Use Ball Seat Mtg. Steel Wheels
0	008-277-70	1	RH Assembly Hub & Drum 10 Stud 8 3/4" BC	Use Ball Seat Mtg. Steel Wheels
ns	008-277-29	1	LH Assembly Hub & Drum 10 Stud 8 3/4" BC ABS	Use Ball Seat Mtg. Steel Wheels
ns	008-277-28	1	RH Assembly Hub & Drum 10 Stud 8 3/4" BC ABS	Use Ball Seat Mtg. Steel Wheels
1	008-277-04	1	LH Assembly Hub 10 Stud 8 3/4" BC	Includes Items 3-5
1	008-277-05	1	RH Assembly Hub 10 Stud 8 3/4" BC	Includes Items 3-5
ns	008-277-23	1	LH Assembly Hub 10 Stud 8 3/4" BC ABS	Includes Items 3-5
ns	008-277-22	1	RH Assembly Hub 10 Stud 8 3/4" BC ABS	Includes Items 3-5
ns	024-200-01	1	ABS Tone Ring	Included with ABS Hubs
3	031-026-01	1	Inner Bearing Cup (HM218210)	
4	031-027-01	1	Outer Bearing Cup (HM212011)	
5	025-056-02	10	LH Shoulder Stud	
5	025-056-01	10	RH Shoulder Stud	
6	009-040-01	1	Drum 12 1/4" x 7 1/2"	
7	005-102-00	10	Washer	
8	006-047-00	10	Hex Nut - Drum Mounting	
9	006-069-02	10	LH Inner Cap Nut	For Steel Disc Wheels
9	006-069-01	10	RH Inner Cap Nut	For Steel Disc Wheels
10	006-070-02	10	LH Outer Cap Nut	
10	006-070-01	10	RH Outer Cap Nut	
11	071-124-00	1	Gasket - Oil Cap	
12	021-038-02	1	Oil Cap (with vent plug)	
13	005-100-00	6	Lock Washer - Oil Cap	
14	007-157-00	6	Cap Screw - Oil Cap	

ns - not shown

Hub & Drum Dimensional Information

Item	Description	Dimensions
A	Cup to Cup	3.34"
B	Cup to Mounting Face	.81"
C	Cup to End of Drum	10.57"
D	Brake Diameter	12.25"
E	Shoe Brake Width	7.50"
F	Drum Overall Width	10.50"
G	Pilot Diameter	7.12"
H	Bolt Circle	8.75"
I	Bolt Diameter	3/4"
J	Hub Cap Hole Mtg	5/16"
6 Holes 5.50 BC		
Inner Bearing Cup and Cone Overall Stack Thickness		1.575"

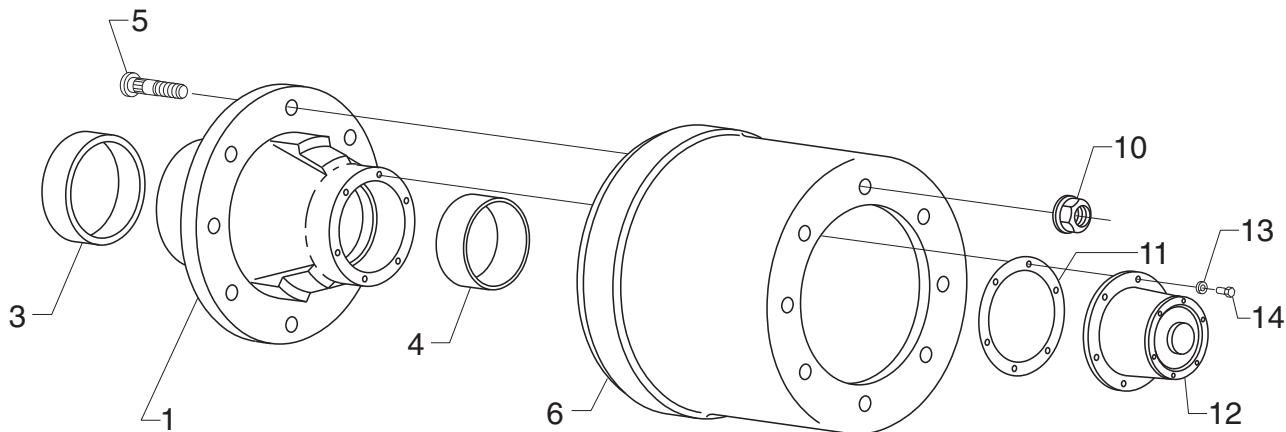


8 Stud on 275mm (10.827") Hubs With Outboard Drums



HUBS & DRUMS: 12 1/4" X 7 1/2" BRAKE SIZE

For use with 17.5" or 19.5" 221mm piloted disc wheels

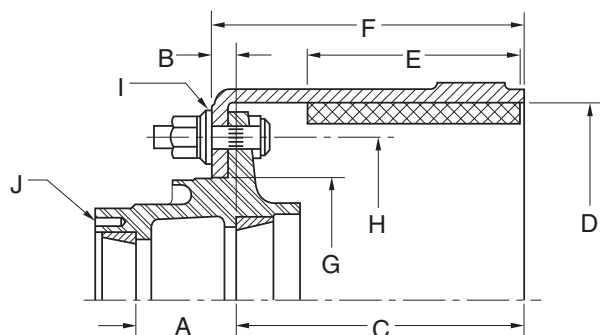


Item	Part No.	Qty	Description	Comments
0	008-396-70	1	Assy Hub & Drum 8 Stud on 275mm BC	Use Pilot Mtg. Steel Wheels
ns	008-396-72	1	Assy Hub & Drum 8 Stud on 275mm BC	Use Pilot Mtg. Aluminum Wheels
ns	008-396-71	1	Assy Hub & Drum 8 Stud on 275mm BC ABS	Use Pilot Mtg. Steel Wheels
ns	008-396-73	1	Assy Hub & Drum 8 Stud on 275mm BC ABS	Use Pilot Mtg. Aluminum Wheels
1	008-396-05	1	Assy Hub 8 Stud on 275mm	Includes Items 3-5 for Steel Wheels
ns	008-396-06	1	Assy Hub 8 Stud on 275mm	Includes Items 3-5 for Aluminum Wheels
ns	008-396-07	1	Assy Hub 8 Stud on 275mm ABS	Included Items 3-5 for Steel Wheels
ns	008-396-08	1	Assy Hub 8 Stud on 275mm ABS	Included Items 3-5 for Aluminum Wheels
ns	024-200-01	1	ABS Tone Ring	Included with ABS Hubs
3	031-026-01	1	Inner Bearing Cup (HM218210)	
4	031-027-01	1	Outer Bearing Cup (HM212011)	
5	007-194-00	8	Stud, Press-In M22 x 1.5	2.47" Stud Length for Steel Wheels
5	007-195-00	8	Stud, Press-In M22 x 1.5	3.32" Stud Length for Aluminum Wheels
6	009-116-01	1	Drum 12 1/4" x 7 1/2"	
10	006-118-00	8	Swivel Flange Nut	
11	071-124-00	1	Gasket - Oil Cap	
12	021-038-02	1	Oil Cap (with vent plug)	
13	005-100-00	6	Lock Washer - Oil Cap	
14	007-157-00	6	Cap Screw - Oil Cap	

ns - not shown

Hub & Drum Dimensional Information

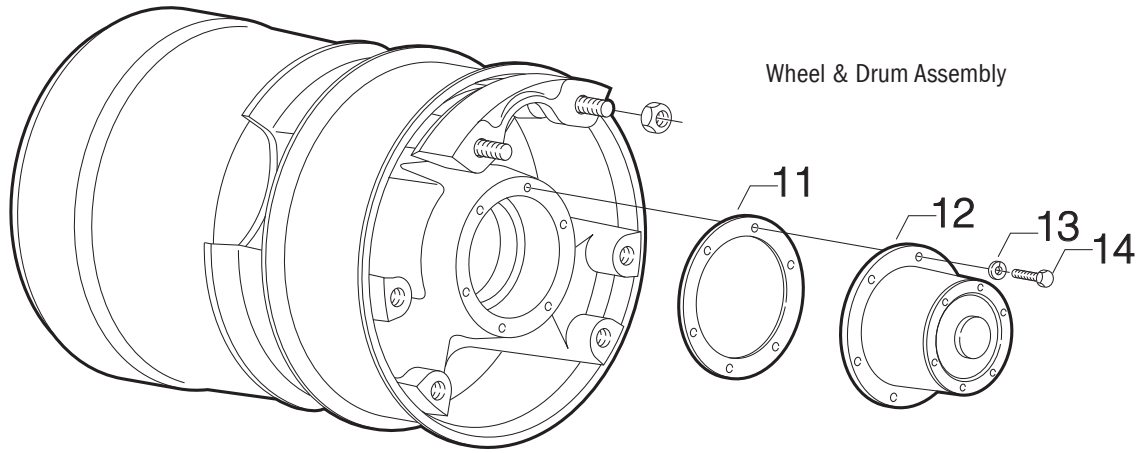
Item	Description	Dimensions
A	Cup to Cup	3.34"
B	Cup to Mounting Face	.75"
C	Cup to End of Drum	10.43"
D	Brake Diameter	12.25"
E	Shoe Brake Width	7.50"
F	Drum Overall Width	11.22"
G	Pilot Diameter (Drum)	9.00"
H	Bolt Circle	275mm (10.827")
I	Bolt Diameter	M22 x 1.5
J	Hub Cap Hole Mtg	5/16"
		6 Holes 5.50 BC
	Inner Bearing Cup and Cone Overall Stack Thickness	1.575"



3-Spoke Cast Wheels



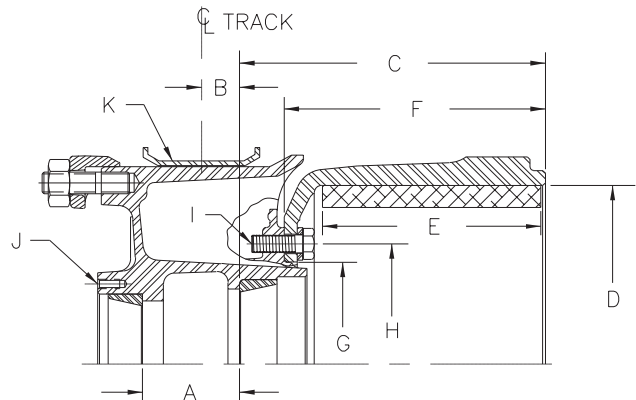
For use with 15" or 17.5" demountable rims



Item	Part No.	Qty	Description
	008-269-76	1	Wheel & Drum Assembly - KIC 001-70003H
	008-269-77	1	ABS Wheel & Drum Assembly - KIC 001-70003TH
11	071-124-00	1	Gasket - Oil Cap
12	021-038-02	1	Oil Cap (with vent plug)
13	005-100-00	6	Lock Washer - Oil Cap
14	007-157-00	6	Cap Screw - Oil Cap

Hub & Drum Dimensional Information

Item	Description	Dimensions
A	Cup to Cup	3.34"
B	Cup to Centerline Track	1.36" (w/4.00" spacer)
C	Cup to End of Drum	10.57"
D	Brake Diameter	12.25"
E	Shoe Brake Width	7.50"
F	Drum Overall Width	9.07"
G	Pilot Diameter	8.50"
H	Bolt Circle	10.00"
I	Bolt Diameter	5/8" (6 holes)
J	Hub Cap Hole Mtg	5/16"
K	Spacer	6 Holes 5.50 BC
	Inner Bearing Cup and Cone Overall Stack Thickness	15" x 4"
		1.575"

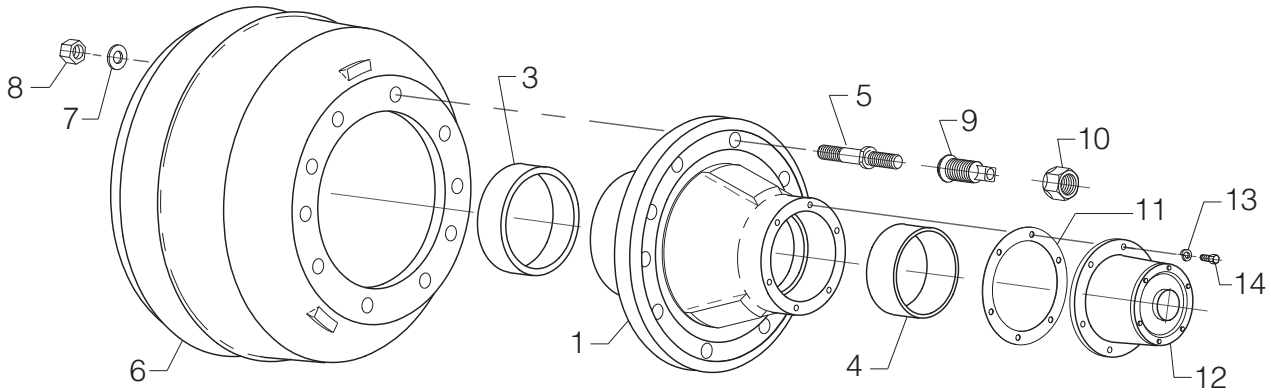


10 Stud on 11 1/4" Hubs With Inboard Drums



HUBS & DRUMS: 16 1/2" X 7" BRAKE SIZE

For use with 20", 22.5" or 24.5" ball seat mounted steel disc wheels

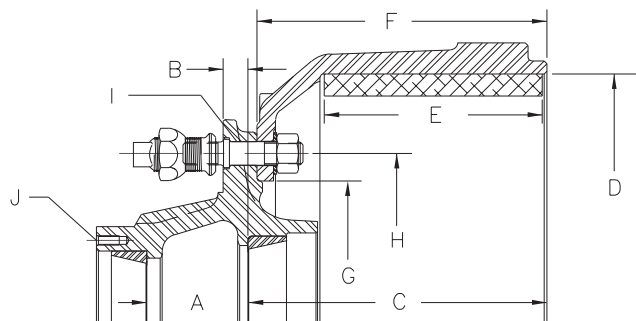


Item	Part No.	Qty	Description	Comments
0	008-279-71	1	LH Assembly Hub & Drum 10 Stud 11 1/4" BC	Use Ball Seat Mtg. Steel Wheels
0	008-279-70	1	RH Assembly Hub & Drum 10 Stud 11 1/4" BC	Use Ball Seat Mtg. Steel Wheels
1	008-279-04	1	LH Assembly Hub 10 Stud 11 1/4" BC	Includes Items 3-5
1	008-279-05	1	RH Assembly Hub 10 Stud 11 1/4" BC	Includes Items 3-5
3	031-026-01	1	Inner Bearing Cup (HM218210)	
4	031-027-01	1	Outer Bearing Cup (HM212011)	
5	025-056-02	10	LH Shoulder Stud	
5	025-056-01	10	RH Shoulder Stud	
6	009-042-01	1	Drum 16 1/2" x 7"	
7	005-102-00	10	Washer	
8	006-047-00	10	Hex Nut - Drum Mounting	
9	006-069-02	10	LH Inner Cap Nut	For Steel Disc Wheels
9	006-069-01	10	RH Inner Cap Nut	For Steel Disc Wheels
10	006-070-02	10	LH Outer Cap Nut	
10	006-070-01	10	RH Outer Cap Nut	
11	071-124-00	1	Gasket - Oil Cap	
12	021-038-02	1	Oil Cap (with vent plug)	
13	005-100-00	6	Lock Washer - Oil Cap	
14	007-157-00	6	Cap Screw - Oil Cap	

ns - not shown

Hub & Drum Dimensional Information

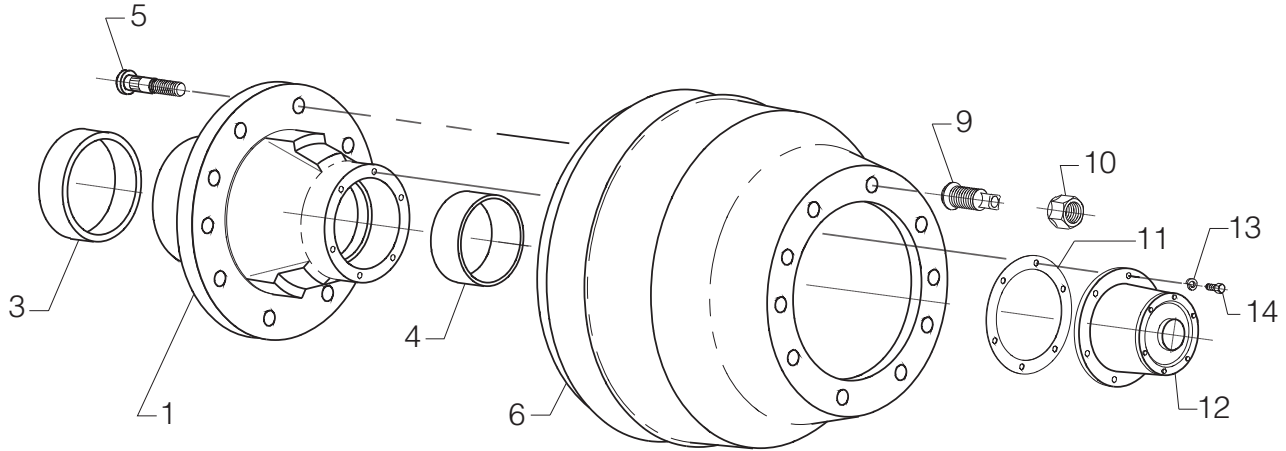
Item	Description	Dimensions
A	Cup to Cup	3.34"
B	Cup to Mounting Face	.81"
C	Cup to End of Drum	9.89"
D	Brake Diameter	16.50"
E	Shoe Brake Width	7.00"
F	Drum Overall Width	9.58"
G	Pilot Diameter	9.44"
H	Bolt Circle	11.25"
I	Bolt Diameter	3/4"
J	Hub Cap Hole Mtg	5/16"
		6 Holes 5.50 BC
	Inner Bearing Cup and Cone Overall Stack Thickness	1.575"



10 Stud on 11 1/4" Hubs With Outboard Drums



For use with 20", 22.5" or 24.5" ball seat mounted steel disc wheels

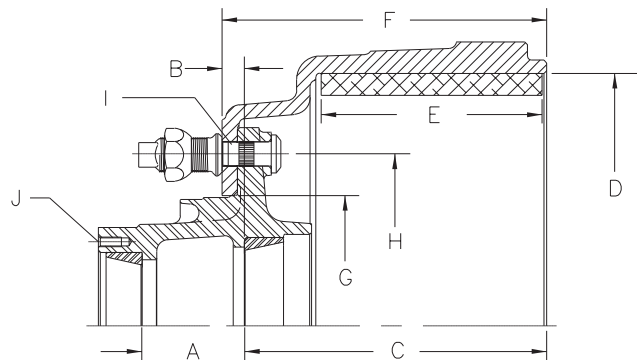


Item	Part No.	Qty	Description	Comments
0	008-290-80	1	LH Assembly Hub & Drum 10 Stud 11 1/4" BC	Use Ball Seat Mtg. Wheels
0	008-290-79	1	RH Assembly Hub & Drum 10 Stud 11 1/4" BC	Use Ball Seat Mtg. Wheels
ns	008-290-82	1	LH Assembly Hub & Drum 10 Stud 11 1/4" BC ABS	Use Ball Seat Mtg. Wheels
ns	008-290-81	1	RH Assembly Hub & Drum 10 Stud 11 1/4" BC ABS	Use Ball Seat Mtg. Wheels
1	008-290-68	1	LH Assembly Hub 10 Stud 11 1/4" BC	Includes Items 3-5
1	008-290-67	1	RH Assembly Hub 10 Stud 11 1/4" BC	Includes Items 3-5
ns	008-290-70	1	LH Assembly Hub 10 Stud 11 1/4" BC ABS	Includes Items 3-5
ns	008-290-69	1	RH Assembly Hub 10 Stud 11 1/4" BC ABS	Includes Items 3-5
ns	024-200-01	1	ABS Tone Ring	Included with ABS Hubs
3	031-026-01	1	Inner Bearing Cup (HM218210)	
4	031-027-01	1	Outer Bearing Cup (HM212011)	
5	007-242-01	10	LH Stud, Press-In	1.38" Stud Stand Out Length
5	007-242-00	10	RH Stud, Press-In	1.38" Stud Stand Out Length
6	009-043-03	1	Drum 16 1/2" x 7"	
9	006-069-02	10	LH Inner Cap Nut	For Steel Disc Wheels
9	006-069-01	10	RH Inner Cap Nut	For Steel Disc Wheels
9	006-124-02	10	LH Inner Cap Nut	For Aluminum Disc Wheels
9	006-124-01	10	RH Inner Cap Nut	For Aluminum Disc Wheels
10	006-070-02	10	LH Outer Cap Nut	
10	006-070-01	10	RH Outer Cap Nut	
11	071-124-00	1	Gasket - Oil Cap	
12	021-038-02	1	Oil Cap (with vent plug)	
13	005-100-00	6	Lock Washer - Oil Cap	
14	007-157-00	6	Cap Screw - Oil Cap	

ns - not shown

Hub & Drum Dimensional Information

Item	Description	Dimensions
A	Cup to Cup	3.34"
B	Cup to Mounting Face	.73"
C	Cup to End of Drum	9.87"
D	Brake Diameter	16.50"
E	Shoe Brake Width	7.00"
F	Drum Overall Width	10.60"
G	Pilot Diameter	8.78"
H	Bolt Circle	11.25"
I	Bolt Diameter	3/4"
J	Hub Cap Hole Mtg	5/16"
Inner Bearing Cup and Cone Overall Stack Thickness		1.575"

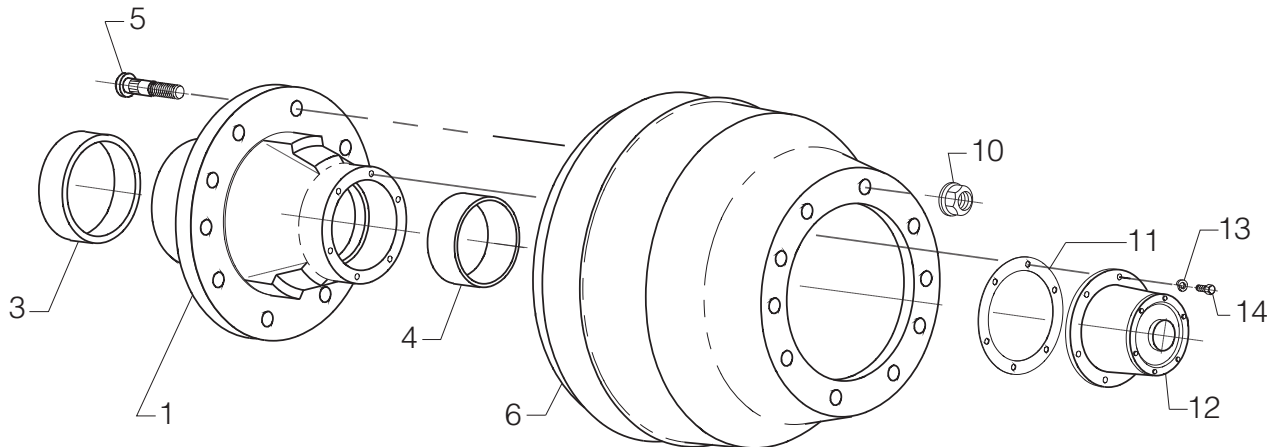


10 Stud on 285.75mm (11.25") Hub Piloted With Outboard Drums



HUBS & DRUMS: 16 1/2" X 7" BRAKE SIZE

For use with 20", 22.5" or 24.5" 220mm piloted disc wheels

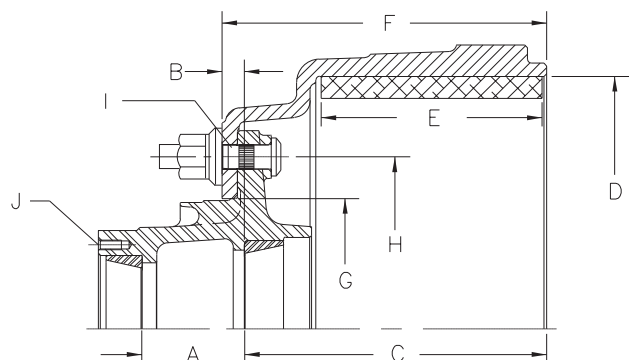


Item	Part No.	Qty	Description	Comments
0	008-290-32	1	Assy Hub & Drum 10 Stud 285.75mm BC	Use Pilot Mtg. Steel Wheels
ns	008-290-34	1	Assy Hub & Drum 10 Stud 285.75mm BC	Use Pilot Mtg. Aluminum Wheels
ns	008-290-33	1	Assy Hub & Drum 10 Stud 285.75mm BC ABS	Use Pilot Mtg. Steel Wheels
ns	008-290-35	1	Assy Hub & Drum 10 Stud 285.75mm BC ABS	Use Pilot Mtg. Aluminum Wheels
1	008-290-13	1	Assy Hub 10 Stud 285.75mm	Includes Items 3-5 for Steel Wheels
ns	008-290-14	1	Assy Hub 10 Stud 285.75mm	Includes Items 3-5 for Aluminum Wheels
ns	008-290-16	1	Assy Hub 10 Stud 285.75mm ABS	Includes Items 3-5 for Steel Wheels
ns	008-290-17	1	Assy Hub 10 Stud 285.75mm ABS	Includes Items 3-5 for Aluminum Wheels
ns	024-200-01	1	ABS Tone Ring	Included with ABS hubs
3	031-026-01	1	Inner Bearing Cup (HM218210)	
4	031-027-01	1	Outer Bearing Cup (HM212011)	
5	007-194-00	10	Stud, Press-In M22 x 1.5	2.47" Stud Length for Steel Wheels
5	007-195-00	10	Stud, Press-In M22 x 1.5	3.32" Stud Length for Aluminum Wheels
6	009-043-03	1	Drum 16 1/2" x 7"	
10	006-118-00	10	Swivel Flange Nut	
11	071-124-00	1	Gasket - Oil Cap	
12	021-038-02	1	Oil Cap (with vent plug)	
13	005-100-00	6	Lock Washer - Oil Cap	
14	007-157-00	6	Cap Screw - Oil Cap	

ns - not shown

Hub & Drum Dimensional Information

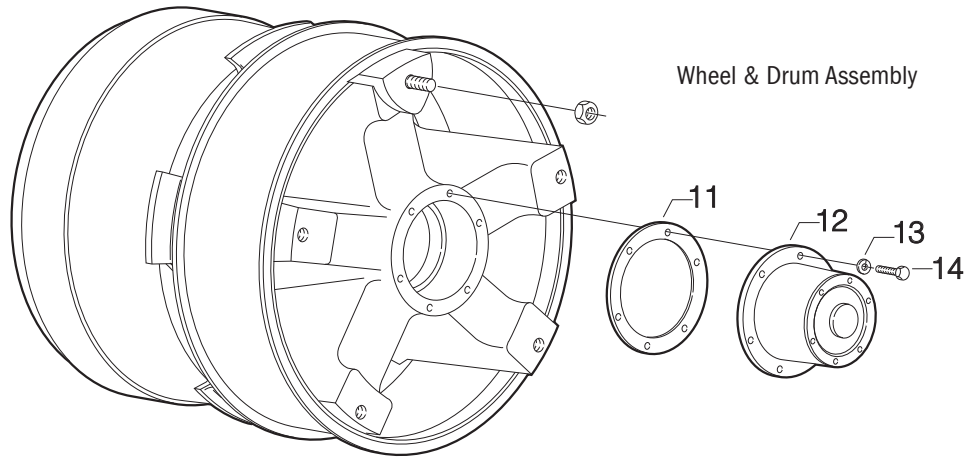
Item	Description	Dimensions
A	Cup to Cup	3.34"
B	Cup to Mounting Face	.73"
C	Cup to End of Drum	9.87"
D	Brake Diameter	16.50"
E	Shoe Brake Width	7.00"
F	Drum Overall Width	10.60"
G	Pilot Diameter (Drum)	8.78"
H	Bolt Circle	285.75mm (11.25")
I	Bolt Diameter	M22 x 1.5
J	Hub Cap Hole Mtg	5/16"
		6 Holes 5.50 BC
	Inner Bearing Cup and Cone Overall Stack Thickness	1.575"



5-Spoke Cast Wheels



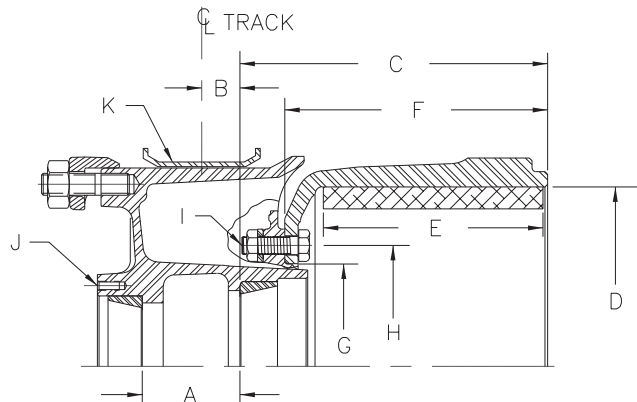
For use with 20" or 22.5" demountable rims



Item	Part No.	Qty	Description
	008-267-76	1	Wheel & Drum Assembly - KIC 001-75207H
	008-267-77	1	ABS Wheel & Drum Assembly - KIC 001-75207TH
11	071-124-00	1	Gasket - Oil Cap
12	021-038-02	1	Oil Cap (with vent plug)
13	005-100-00	6	Lock Washer - Oil Cap
14	007-157-00	6	Cap Screw - Oil Cap

Hub & Drum Dimensional Information

Item	Description	Dimensions
A	Cup to Cup	3.34"
B	Cup to Centerline Track	1.36" (w/4.00" spacer)
C	Cup to End of Drum	9.90"
D	Brake Diameter	16.50"
E	Shoe Brake Width	7.00"
F	Drum Overall Width	8.38"
G	Pilot Diameter	9.44"
H	Bolt Circle	11.00"
I	Bolt Diameter	5/8"
J	Hub Cap Hole Mtg	5/16"
		6 Holes 5.50 BC
K	Spacer	20" x 4"
	Inner Bearing Cup and Cone Overall Stack Thickness	1.575"



Hubs & Drums; Wheels & Drums



HUBS & DRUMS: CROSS REFERENCE

Description	Dexter	Webb	Erie	Dayton Walther	KIC	Gunitite
Assembly 8 on 275mm BC; Outboard 12 1/4" Brake*	008-396-70	20271CW4	n/a	n/a	001-00133	n/a
Assembly 8 on 275mm BC; Outboard 12 1/4" Brake-ABS*	008-396-71	20271CW4T	n/a	n/a	001-00133T	n/a
Assembly 8 on 275mm BC; Outboard 12 1/4" Brake ⁺	008-396-72	20271CW6	n/a	n/a	001-00133L	n/a
Assembly 8 on 275mm BC; Outboard 12 1/4" Brake-ABS ⁺	008-396-73	20271CW6T	n/a	n/a	001-00133LT	n/a
Assembly 10 on 8 3/4" BC RH; Inboard 12 1/4" Brake*	008-277-70	10519CLMR	n/a	n/a	001-10511	n/a
Assembly 10 on 8 3/4" BC RH; Inboard 12 1/4" Brake-ABS*	008-277-28	10519CLMRT	n/a	n/a	001-10511T	n/a
Assembly 10 on 8 3/4" BC LH; Inboard 12 1/4" Brake*	008-277-71	10519CLML	n/a	n/a	001-10512	n/a
Assembly 10 on 8 3/4" BC LH; Inboard 12 1/4" Brake-ABS*	008-277-29	10519CLMLT	n/a	n/a	001-10512T	n/a
Assembly 15" 3-Spoke; 12 1/4" Brake	008-269-xx	70159CCA	950-2700-10	48-14054-054	001-70003H	5785-1
Assembly 15" 3-Spoke; 12 1/4" Brake-ABS	008-269-xx	70159CCAT80	950-2700-10-A	48-15613-056	001-70003TH	5785-2
Assy 10 on 11 1/4" BC RH; 9.44 Pilot Inboard 16 1/2" Brake*	008-279-70	10019 BE_R	704-2760 RH	n/a	n/a	5559-RH1
Assy 10 on 11 1/4" BC LH; 9.44 Pilot Inboard 16 1/2" Brake*	008-279-71	10019 BE_L	704-2760 LH	n/a	n/a	5559-LH1
Assy 10 on 11 1/4" BC RH; 8.78 Pilot Outboard 16 1/2" Brake*	008-290-79	20231UQ_R	Call Erie sales office	n/a	001-00126	n/a
Assy 10 on 11 1/4" BC RH; 8.78 Pilot Outboard 16 1/2" Brake-ABS*	008-290-81	20231UQ_RT	814-452-6431	n/a	001-00126T	n/a
Assy 10 on 11 1/4" BC LH; 8.78 Pilot Outboard 16 1/2" Brake*	008-290-80	20231UQ_L	for assistance.	n/a	001-00127	n/a
Assy 10 on 11 1/4" BC LH; 8.78 Pilot Outboard 16 1/2" Brake-ABS*	008-290-82	20231UQ_LT		n/a	001-00127T	n/a
Assy 10 on 285.75mm BC; 8.78 Pilot Outboard 16 1/2" Brake*	008-290-32	Heavy Duty 20231UQ4 or Extra Hvy 20231UH4	706-2764-5 with 5324 Studs for Steel Wheels	n/a	Heavy Duty 001-00125	n/a
Assy 10 on 285.75mm BC; 8.78 Pilot Outboard 16 1/2" Brake-ABS*	008-290-33	Heavy Duty 20231UQ4T or Extra Hvy 20231UH4T	706-2764-5-A with 5424 Studs for Steel Wheels	n/a	Heavy Duty 001-0125T	n/a
Assy 10 on 285.75mm BC; 8.78 Pilot Outboard 16 1/2" Brake ⁺	008-290-34	Heavy Duty 20231UQ6 or Extra Hvy 20231UH6	706-2764-5-A with 5322 Studs for Aluminum Wheels	n/a	Heavy Duty 001-0125L	n/a
Assy 10 on 285.75mm BC; 8.78 Pilot Outboard 16 1/2" Brake-ABS ⁺	008-290-35	Heavy Duty 20231UQ6T or Extra Hvy 20231UH6T	706-2764-5-A with 5322 Studs for Aluminum Wheels	n/a	Heavy Duty 001-0125LT	n/a
Assembly 20" 5-Spoke; 16 1/2" Brake	008-267-xx	75209GCA	904-2738-1	48-14018-051	001-75207H	5763-1
Assembly 20" 5-Spoke; 16 1/2" Brake-ABS	008-267-xx	75209GCAT	904-2738-1-A	n/a	001-75207TH	5763-2

xx = See Hubs & Drums section for part number that varies with manufacturer.

The following listed part numbers have a drum pilot diameter of 8.53". These are obsolete and are available as service parts only, not to be used for new construction. For new assemblies having 8.78" diameter drum pilot, see the above part numbers 008-290-79; -80; -81; -82.

Description	Dexter	Webb	Erie	Dayton Walther	KIC	Gunitite
Assy 10 on 11 1/4" BC RH; 8.53 Pilot Outboard 16 1/2" Brake*	008-290-20	10209FRMR	705-2764 RH	n/a	n/a	5631-RH1
Assy 10 on 11 1/4" BC RH; 8.53 Pilot Outboard 16 1/2" Brake-ABS*	008-290-57	10209FRMRT	705-2764 RH-A	n/a	n/a	n/a
Assy 10 on 11 1/4" BC LH; 8.53 Pilot Outboard 16 1/2" Brake*	008-290-21	10209FRML	705-2764 LH	n/a	n/a	5631-LH1
Assy 10 on 11 1/4" BC LH; 8.53 Pilot Outboard 16 1/2" Brake-ABS*	008-290-58	10209FRMLT	705-2764 LH-A	n/a	n/a	n/a

Interchange Reference Information

The interchange reference information listed herein is based on the best available information at the time of publication and is to be used as a guide only. Although every care has been taken in order to insure the accuracy of these interchanges, Dexter does not assume any liability for errors, changes, omissions, or for harm resulting therefrom. It is recommended that all parts be thoroughly checked for proper form, fit, and function prior to installation and usage to determine interchangeability.

- * Steel Wheels
- + Aluminum Wheels

Bearings, Seals, and Caps



Type	Description	Dexter Part No.
Bearings	Inner Bearing Cone (HM218248)	031-026-02
	Outer Bearing Cone (HM212049)	031-027-02
Oil Seal Unitized	National B-370025-BGR (Dexter standard)	010-055-01
	Midland Mechanics Barrier 755400	010-055-02
	Stemco Guardian 307-0743	010-055-03
	Stemco 373-0143 Unitized	010-055-04
	Dichtomatik OB4660099	010-055-09
Oil Cap	Stemco 343-4009	021-038-01
	Standard	021-038-02
Grease Cap		021-046-00

Anti-Lock Braking Systems (ABS)



March 1, 1998, the National Highway Traffic Safety Administration (NHTSA) passed a law that required all new trailers with air actuated brakes to have anti-lock braking capability for any vehicle that falls under FMVSS121.

Dexter's D200 series axles are offered with the ABS sensors (all 90° sensors) from the following ABS system manufacturers:

Manufacturer	Dexter PN	Manufacturers PN
Haldex	097-003-00	364094001
Meritor - Wabco	097-007-00	441-032-808-0

It is recommended that the Electronic Control Unit (ECU) purchased for the trailer (not supplied by Dexter Axle) be from the same manufacturer as the sensor.

Information about the various ECU's and other products offered by the manufacturers may be found by contacting the manufacturer or one of their distributors:

Haldex

10707 NW Airworld Drive
Kansas City, MO 64153
Telephone: (816) 891-2470
Customer Service: (800) 643-2374
www.hbsna.com

Meritor - Wabco

2135 West Maple Road
Troy, MI 48084
Customer Service: (800) 535-5560
www.meritorwabco.com