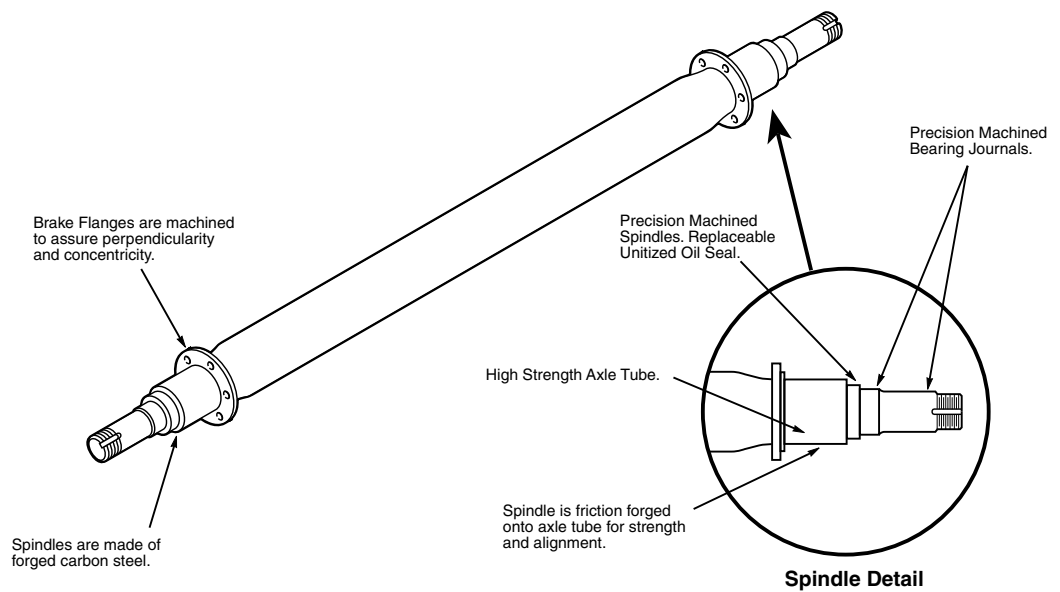


Dexter Heavy Duty Utility Axle Beam Features



- Highest strength axle tube generally available for utility vehicle axles.
- Materials used allow a stiffer and stronger axle beam with no camber required.
- The backing plate of the Dexter electric or hydraulic brake mounts on piloted axle brake flange. This assures that brakes will perform effectively.

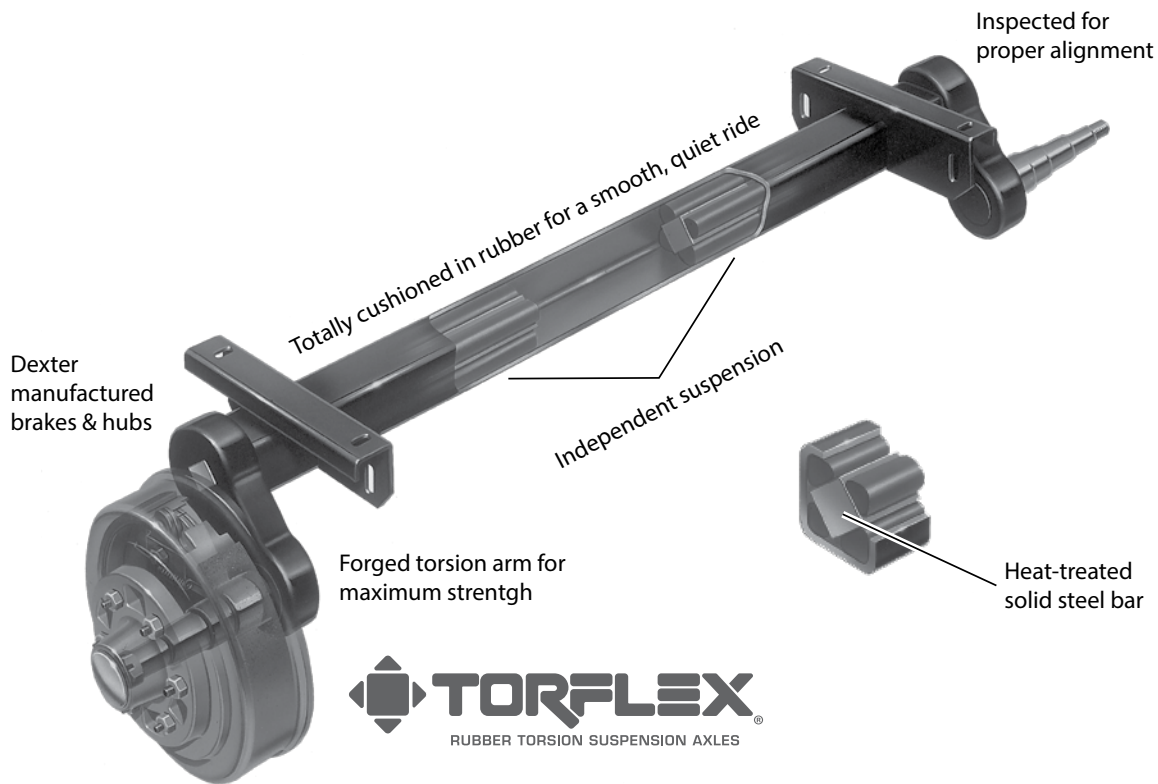


Torflex® Axle Beam Features

#13G – General Duty

#13D – Heavy Duty

#14



CAUTION: Triple axle assemblies are NOT recommended for #13 or #14 Torflex® axles.