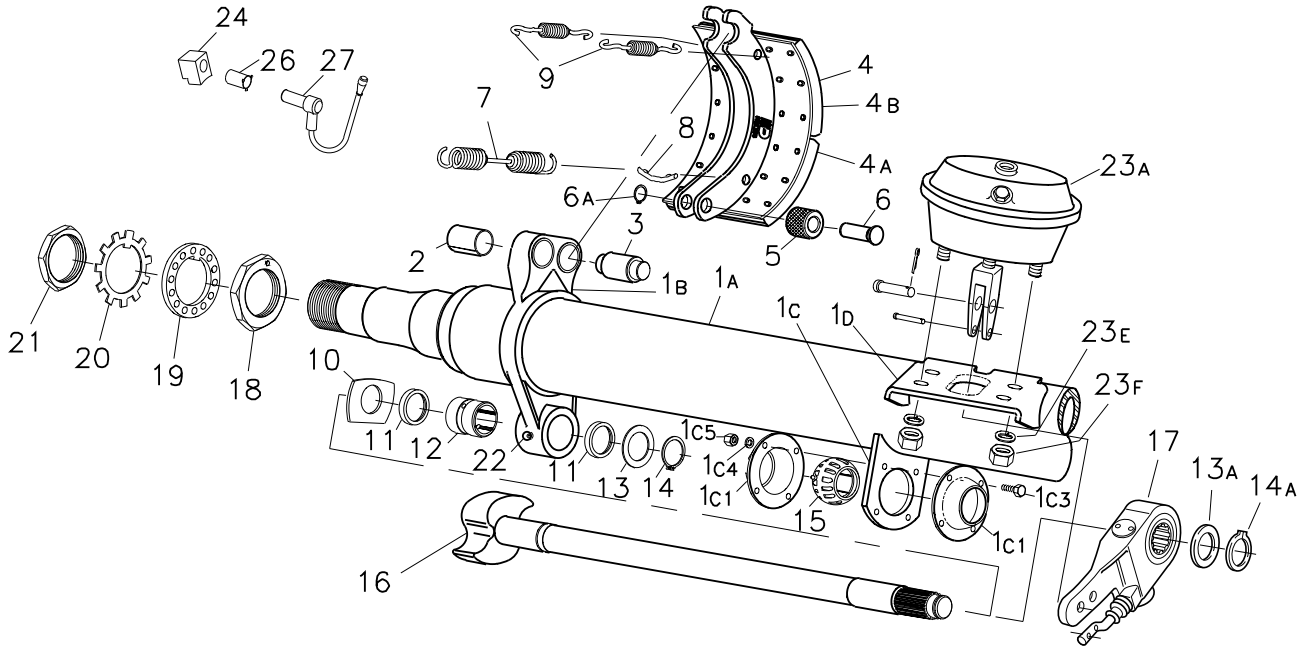




# Axle/Brake Components

**12 1/4" X 7 1/2" BRAKE SIZE**

'PQ' Style



**AXLE/BRAKE COMPONENTS**

## Brake Shoe Hardware Kit

**K71-460-00**

Fits "PQ" style Dexter 10-27K 12 1/4" air brake axles. For one brake.

DX Part No.	Quantity	Part Description
005-076-00	2	Washer
014-057-00	2	Roller
014-068-00	2	Bushing
046-092-00	1	Retractor Spring
046-097-00	2	Shoe Keeper Spring
056-010-00	2	Roller Pin
056-017-00	2	Anchor Pin
056-018-00	2	Retainer Pin
069-018-00	2	Snap Ring for .750 Shaft
059-553-00	1	Instruction Sheet

## Brake Block Kit

**K71-133-00**

For one Dexter 12 1/4" x 7 1/2" brake.

DX Part No.	Quantity	Part Description
022-018-00	48	Rivet
041-057-01	2	Brake Block
041-060-01	2	Brake Block
059-191-00	1	Instruction sheet

ns - not shown

## Camshaft Repair Kit

**K71-101-00**

Fits "P" and "PQ" style Dexter 10K, 12K, 15K, and 12 1/4" x 7 1/2" air brake axles. For one brake.

DX Part No.	Quantity	Part Description
005-074-00	1	'D' Washer Camshaft
005-075-00	2	Camshaft Washer
005-134-00	1	Plain Washer
010-052-00	2	Seal
014-056-00	1	Camshaft Bushing
014-058-00	1	Camshaft Support Bushing
061-006-00	1	Grease Fitting
069-020-00	2	Camshaft Retainer
069-078-00	1	Snap Ring
059-663-00	1	Instruction Sheet

Axle beams are produced using the latest in friction welding technology.

# Axle/Brake Components



12 1/4" X 7 1/2" BRAKE SIZE

AXLE/BRAKE COMPONENTS

'PQ' Style

Item	Part No.	Qty per Axle	Description	Comments
1A	D-2L12	1	Beam Options	Light Wall 22,500# Rating
	D-2M12	1	Beam Options	Medium Wall 25,000# Rating; with Air Ride 22,500#
	D-2H12	1	Beam Options	Heavy Wall, 27,500# Rating; with Air Ride 25,000#
1B*	036-114-02	2	Spider (using anchor pin bushing)	Weld on (includes #2)
1C	034-031-00	2	Bracket - Camshaft Support	Weld-on
1C1	034-032-00	4	Retainer Plate	
1C3	007-139-00	8	Bolt - Retainer Plate Attachment	
1C4	005-079-00	8	Lock Washer - Cover Attachment	
1C5	006-099-00	8	Nut - Retainer Plate Attachment	
1D	034-048-00	2	Bracket - Air chamber Mounting	Weld-on Standard
2	014-068-00	4	Bushing - Spider Anchor Pin	
3	056-017-00	4	Anchor Pin	
4	040-320-01	4	Shoe and Lining Assembly	Friction Code FF
4A	041-060-01	4	Lining - Brake Block Cam	(FMSI 4591 D)
4B	041-057-01	4	Lining - Brake Block Anchor	(FMSI 4591 D)
5	014-057-00	4	Roller	
6	056-010-00	4	Retainer - Roller Pin	
6A	069-018-00	4	Retainer Ring	
7	046-092-00	2	Spring - Shoe Retractor	Blue color
8	056-018-00	4	Retainer Pin - Retractor Spring	
9	046-097-00	4	Spring - Shoe Keeper	Orange Color
10	005-074-00	2	'D' Washer - Camshaft	.06 thick
11	010-052-00	4	Grease Seal	
12	014-056-00	2	Bushing - Camshaft Spider	Nylon
13	005-075-00	1	Washer	
13A	005-134-00	2	Washer - Camshaft Slack Adjuster End	For 28-spline Camshafts only
14	069-020-00	2	Snap Ring	
14A	069-078-00	2	Retainer - Camshaft Slack Adjuster End	For 28-spline Camshafts only
15	014-058-00	2	Bushing - Camshaft Support	Nylon
16	034-xxx-xx	2	Camshaft LH/RH	See Camshaft section for options
ns	055-039-00	2	Slack Adjuster - Manual	1.46 x 28-spline
17	055-040-99	2	Slack Adjuster Angled Automatic 1.46 x 28-spline 6" arm	Boxed kit includes clevis, pins, gage, and instructions
18	006-114-00	2	Nut - Inner Spindle Bearing	
19	005-098-00	2	Lock Washer - Indexing	
20	005-099-00	2	Lock Washer - Tab	
21	006-115-00	2	Nut - Outer Spindle	
22	061-006-00	2	Grease Fitting 65°	
23A	034-xxx-xx	2	Air Chamber Assembly (includes item 23E, 23F)	See Air Chamber section for options
ns	055-057-00	2	Clevis for manual slacks only	Clevis, Clevis Pin & Cotter Pin for Manual Slacks
23E		4	Lock Washer - Air chamber Mounting (included in item 23A)	
23F		4	Nut - Air Chamber Mounting (included in item 23A)	
24	024-100-00	2	Sensor block	
26	097-002-00	2	Retainer Clip	
27	097-003-00	2	ABS Sensor, 90°	Haldex
	097-007-00	2	ABS Sensor, 90°	Meritor - Wabco

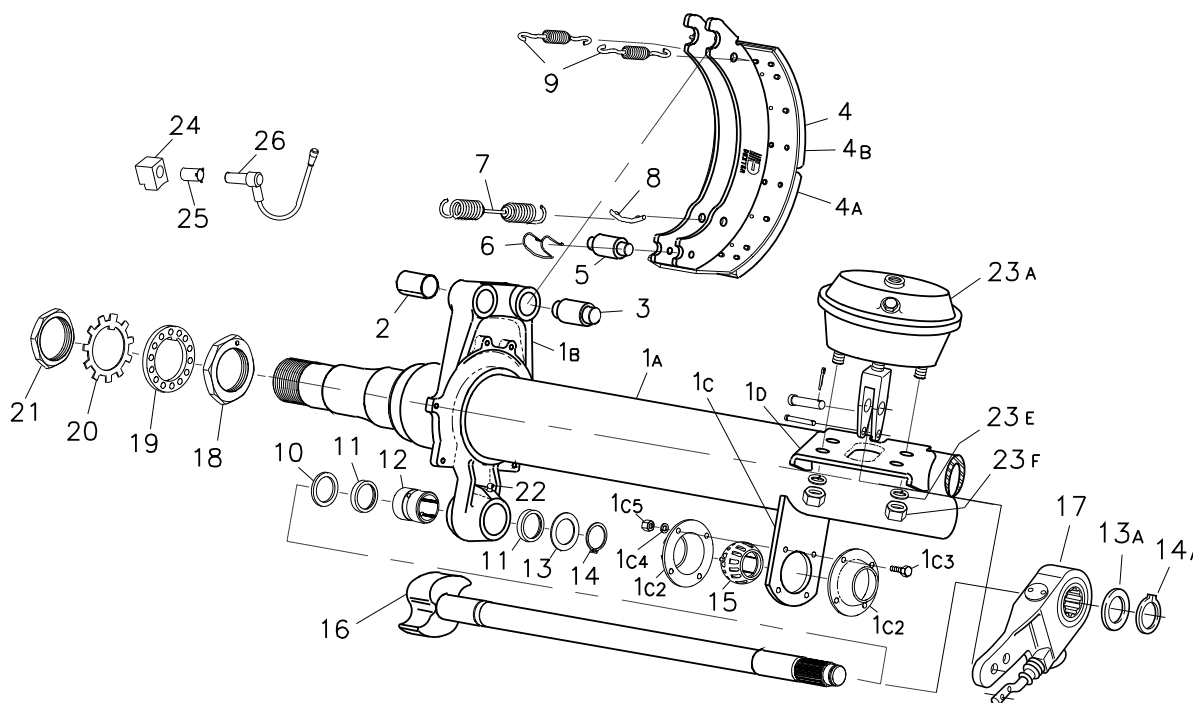
\* Not for individual resale

xx - See Camshaft section for part number that varies by length



# Axle/Brake Components

'Q' Style



**16 1/2" X 7" BRAKE SIZE**

**AXLE/BRAKE COMPONENTS**

## Brake Shoe Hardware Kit K71-136-00

Fits "Q" quick change Dexter 16 1/2" x 7" air brake axles. For one brake.

DX Part No.	Quantity	Part Description
014-065-00	2	Roller
014-068-00	2	Spider Bushing
046-096-00	1	Retractor Spring 16 1/2" Brake-Orange
046-097-00	2	Keeper Spring
056-017-00	2	Anchor Pin
056-018-00	2	Spring Retainer
071-122-00	2	Roller Retainer
059-554-00	1	Instruction Sheet

## Brake Block Kit K71-138-00

For one Dexter 16 1/2" x 7" air brake.

DX Part No.	Quantity	Part Description
022-018-00	48	Rivet
041-058-01	2	Brake Block
041-059-01	2	Brake Block
059-191-00	1	Instruction sheet

ns - not shown

## Camshaft Repair Kit K71-135-00

Fits all "Q" quick change Dexter 16 1/2" x 7" air brake axles. For one brake.

DX Part No.	Quantity	Part Description
005-096-00	1	Camshaft Washer
005-097-00	2	Camshaft Washer
005-134-00	1	Plain Washer
010-052-00	2	Seal
014-056-00	1	Camshaft Bushing
014-058-00	1	Camshaft Support Bushing
061-006-00	1	Grease Fitting
069-020-00	2	Camshaft Retainer
069-078-00	1	Snap Ring
059-554-00	1	Instruction Sheet

Axle beams are produced using the latest in friction welding technology.

# Axle/Brake Components



16 1/2" X 7" BRAKE SIZE

AXLE/BRAKE COMPONENTS

'Q' Style

Item	Part No.	Qty per Axle	Description	Comments
1A	D-2L16	1	Beam Options	Light Wall 22,500# Rating
	D-2M16	1	Beam Options	Medium Wall 25,000# Rating; with Air Ride 22,500#
	D-2H16	1	Beam Options	Heavy Wall, 27,500# Rating; with Air Ride 25,000#
1B*	036-092-04	2	Spider	Weld on (includes #2)
1C	034-047-04	2	Bracket - Camshaft Support	Weld-on
1C2	034-032-00	4	Retainer Plate	
1C3	007-139-00	8	Bolt - Retainer Plate Attachment	
1C4	005-079-00	8	Lock Washer - Cover Attachment	
1C5	006-099-00	8	Nut - Retainer Plate Attachment	
1D	034-048-00	2	Bracket - Air chamber Mounting	Weld-on Standard
2	014-068-00	4	Bushing - Spider Anchor Pin	
3	056-017-00	4	Anchor Pin	
4	040-180-00	4	Shoe and Lining Assembly	Friction Code FF
4A	041-058-01	4	Lining - Brake Block Cam	(FMSI 4515 D)
4B	041-059-01	4	Lining - Brake Block Anchor	(FMSI 4515 D)
5	014-065-00	4	Roller	
6	071-122-00	4	Retainer - Roller	
7	046-096-00	2	Spring - Shoe Retractor	Orange Color
8	056-018-00	4	Retainer Pin - Retractor Spring	
9	046-097-00	4	Spring - Shoe Keeper	Orange Color
10	005-096-00	2	Washer - Camshaft	.120 thick
11	010-052-00	4	Grease Seal	
12	014-056-00	2	Bushing - Camshaft Spider	Nylon
13	005-097-00	2	Washer	
13A	005-134-00	2	Washer - Camshaft Slack Adjuster End	For 28-spline Camshafts only
14	069-020-00	2	Snap Ring	
14A	069-078-00	2	Retainer - Camshaft Slack Adjuster End	For 28-spline Camshafts only
15	014-058-00	2	Bushing - Camshaft Support	Nylon
16	034-xxx-xx	2	Camshaft LH/RH	See Camshaft section for options
ns	055-039-00	2	Slack Adjuster - Manual	1.46 x 28-spline
17	055-040-98	2	Slack Adjuster Straight Automatic 1.46 x 28-spline 6" arm	Boxed kit includes clevis, pins, gage, and instructions
18	006-114-00	2	Nut - Inner Spindle Bearing	
19	005-098-00	2	Lock Washer - Indexing	
20	005-099-00	2	Lock Washer - Tab	
21	006-115-00	2	Nut - Outer Spindle	
22	061-006-00	2	Grease Fitting 65°	
23A	034-xxx-xx	2	Air chamber Assembly (includes item 23E, 23F)	See Air Chamber section for options
ns	055-057-00	2	Clevis for manual slacks only	Clevis, Clevis Pin & Cotter Pin for Manual Slacks
23E		4	Lock Washer - Air chamber Mounting (included in item 23A)	
23F		4	Nut - Air Chamber Mounting (included in item 23A)	
24	024-100-00	2	Sensor block	
25	097-002-00	2	Retainer Clip	
26	097-003-00	2	ABS Sensor, 90°	Haldex
	097-007-00	2	ABS Sensor, 90°	Meritor - Wabco

\* Not for individual resale

xx - See Camshaft section for part number that varies by length