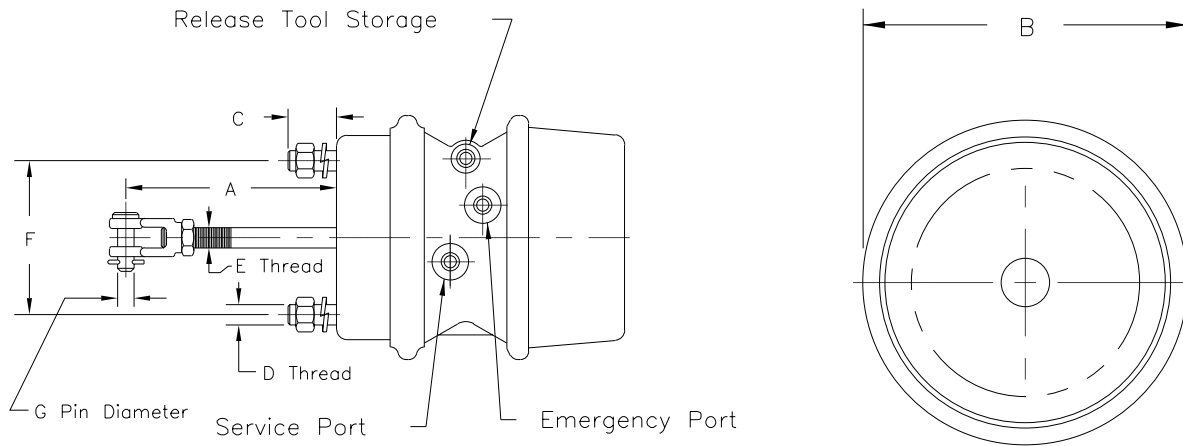


Part Number	Size	A	B	C	D	E	F	G	Recommended Application
034-260-07	Type 20	5.62	7.00	1.25	5/8-11	5/8-18	4.75	.50	12 1/4" Brake with Tramec Angled Automatic Slack
034-260-08	Type 20	6.38	7.00	1.25	5/8-11	5/8-18	4.75	.50	12 1/4" Brake with Straight Manual Slack
034-059-01	Type 24	7.00	7.50	1.25	5/8-11	5/8-18	4.75	.50	Optional 16 1/2" Brake
034-059-07	Type 24	5.62	7.50	1.25	5/8-11	5/8-18	4.75	.50	12 1/4" Brake with Tramec Angled Automatic Slack
034-059-08	Type 24	6.38	7.50	1.25	5/8-11	5/8-18	4.75	.50	12 1/4" Brake with Straight Manual Slack
034-057-01	Type 30	7.00	8.50	1.25	5/8-11	5/8-18	4.75	.50	Standard 16 1/2" Brake
034-057-07	Type 30	5.62	8.50	1.25	5/8-11	5/8-18	4.75	.50	12 1/4" Brake with Tramec Angled Automatic Slack
034-057-08	Type 30	6.38	8.50	1.25	5/8-11	5/8-18	4.75	.50	12 1/4" Brake with Straight Manual Slack

**Note:** Clevis assembly NOT included with air chamber. See brake section for Clevis kits.

# Spring Brake Air Chambers



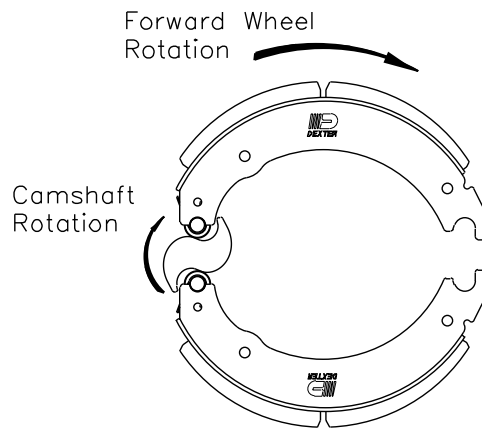
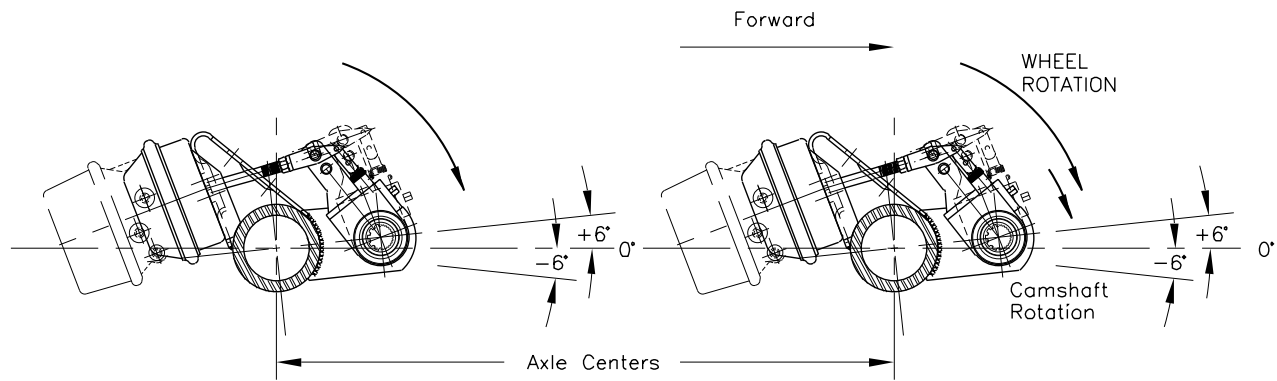
Part Number	Size	A	B	C	D	E	F	G	Recommended Application
034-261-07	Type 20-24	5.62	7.53	1.25	$\frac{5}{8}$ -11	$\frac{5}{8}$ -18	4.75	.50	12 $\frac{1}{4}$ " Brake with Tramec Angled Automatic Slack
034-261-08	Type 20-24	6.38	7.53	1.25	$\frac{5}{8}$ -11	$\frac{5}{8}$ -18	4.75	.50	12 $\frac{1}{4}$ " Brake with Straight Manual Slack
034-060-01	Type 24-30	7.00	7.50	1.25	$\frac{5}{8}$ -11	$\frac{5}{8}$ -18	4.75	.50	Optional 16 $\frac{1}{2}$ " Brake
034-060-07	Type 24-30	5.62	7.50	1.25	$\frac{5}{8}$ -11	$\frac{5}{8}$ -18	4.75	.50	12 $\frac{1}{4}$ " Brake with Tramec Angled Automatic Slack
034-060-08	Type 24-30	6.38	7.50	1.25	$\frac{5}{8}$ -11	$\frac{5}{8}$ -18	4.75	.50	12 $\frac{1}{4}$ " Brake with Straight Manual Slack
034-058-01	Type 30-30	7.00	8.50	1.25	$\frac{5}{8}$ -11	$\frac{5}{8}$ -18	4.75	.50	Standard 16 $\frac{1}{2}$ " Brake
034-058-07	Type 30-30	5.62	8.50	1.25	$\frac{5}{8}$ -11	$\frac{5}{8}$ -18	4.75	.50	12 $\frac{1}{4}$ " Brake with Tramec Angled Automatic Slack
034-058-08	Type 30-30	6.38	8.50	1.25	$\frac{5}{8}$ -11	$\frac{5}{8}$ -18	4.75	.50	12 $\frac{1}{4}$ " Brake with Straight Manual Slack

**Note:** Clevis assembly NOT included with air chamber. See brake section for Clevis kits.

# Tandem Axle Configurations



Off-Road Applications



**Note:**

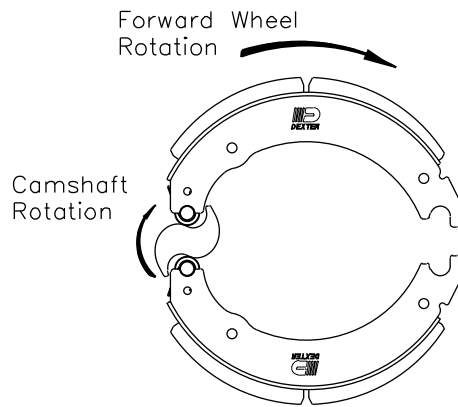
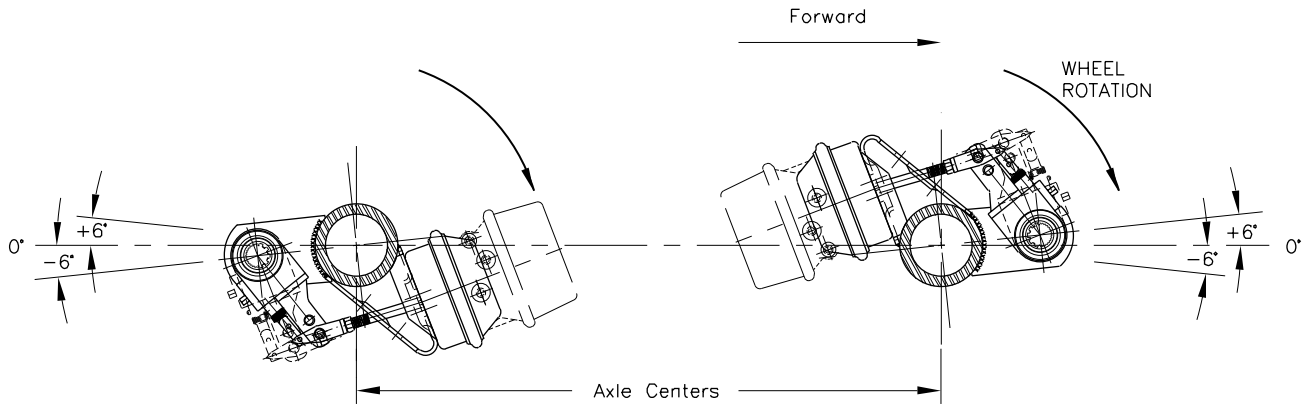
1. Position of air chambers as shown results in optimum clearances.
2. Use of equal length service lines is recommended.
3. To assure welds are within approved neutral axis zone quadrants, maximum rotation of camshaft position is +6° up to -6° down from 0° neutral axis.

**AIR CHAMBERS**

# Tandem Axle Configurations



Over-the-Highway Applications



## Note:

1. Position of air chambers as shown results in optimum clearances.
2. Use of equal length service lines is recommended.
3. To assure welds are within approved neutral axis zone quadrants, maximum rotation of camshaft position is +6° up to -6° down from 0° neutral axis.