

Brake Component Lubrication

A schedule for the periodic lubrication of brake components should be established by the operator on the basis of past experience and severity of operation.

Lubrication Guidelines

For camshaft roller journals

Lubricate with high temperature anti-seize grease.

For anchor pins

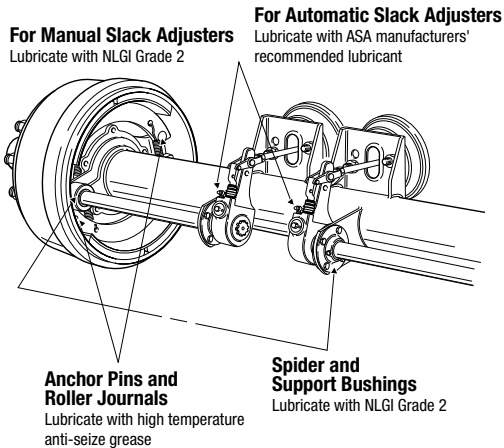
Lubricate with high temperature anti-seize grease.

For manual slack adjusters

Lubricate with NLGI Grade 2.

For automatic slack adjusters

Lubricate with ASA manufacturers' recommended lubricant.



Frequency of Service

Camshaft roller journals, anchor pins, slack adjusters every 25,000 to 30,000 miles or every six months depending on severity of service. For off-highway use, service every 4 months depending on severity of service.

Note: Reline shoes or replace with new shoe and lining assemblies when the linings are grease saturated.

